

Pioneer

CLASS D FOUR-CHANNEL AMPLIFIER
AMPLIFICATEUR 4 CANAUX CLASSE-D
AMPLIFICATORE A 4 CANALI IN CLASSE D
AMPLIFICADOR 4 CANALES CLASE D
VIERKANAL-VERSTÄRKER DER KLASSE D
KLASSE D-VERSTERKER MET VIER KANALEN
4-КАНАЛЬНЫЙ УСИЛИТЕЛЬ КЛАССА D

GM-DX104

Owner's Manual
Mode d'emploi
Manuale d'istruzioni
Manual de instrucciones
Bedienungsanleitung
Handleiding
Руководство пользователя

English

Français

Italiano

Español

Deutsch

Nederlands

Русский

Before you start

Thank you for purchasing this PIONEER product

To ensure proper use, please read through this manual before using this product. It is especially important that you read and observe **WARNINGS** and **CAUTIONS** in this manual. *Please keep the manual in a safe and accessible place for future reference.*



If you want to dispose this product, do not mix it with general household waste. There is a separate collection system for used electronic products in accordance with legislation that requires proper treatment, recovery and recycling.

Private households in the member states of the EU, in Switzerland and Norway may return their used electronic products free of charge to designated collection facilities or to a retailer (if you purchase a similar new one). For countries not mentioned above, please contact your local authorities for the correct method of disposal.

By doing so you will ensure that your disposed product undergoes the necessary treatment, recovery and recycling and thus prevent potential negative effects on the environment and human health.

Visit our website

Visit us at the following site:

<https://www.pioneer-car.eu/eur>

- Register your product. We will keep the details of your purchase on file to help you refer to this information in the event of an insurance claim such as loss or theft.

- We offer the latest information about PIONEER CORPORATION on our website.

If you experience problems

Should this product fail to operate properly, please contact your dealer or nearest authorized Pioneer Service Station.

Before connecting/ installing the amplifier


WARNING

- This unit is for vehicles with a 12 V battery and negative grounding. Before installing in recreational vehicles, trucks or buses, check the battery voltage.
- When the fuse of the car which supplies the power to this unit is less than 15 A, supply the power directly to this unit from a battery. In addition, do not connect the speaker to the car stereo for speaker output while using this unit. If the speaker is connected to the car stereo, since the current consumption of the whole system becomes large, the power must be supplied from a car battery directly.
- When installing this unit, make sure to connect the ground wire first. Ensure that the ground wire is properly connected to metal parts of the car's body. The ground wire of the one of this unit must be connected to the car separately with different screws. If the screw for the ground wire loosens or falls out, it could result in fire, generation of smoke or malfunction.
- Always use a fuse of the rating prescribed. The use of an improper fuse could result in overheating and smoke, damage to the product and injury, including burns.

Before you start


- Check the connections of the power supply and speakers if the amplifier fuse blows. Determine and resolve the cause, then replace the fuse with an identical equivalent.
- Always install the amplifier on a flat surface. Do not install the amplifier on a surface that is not flat or on a surface with a protrusion. Doing so could result in malfunction.
- When installing the amplifier, do not allow parts such as extra screws to get caught between the amplifier and the automobile. Doing so could cause malfunction.
- Do not allow this unit to come into contact with liquids. Electrical shock could result. Also, damage to this unit, smoke, and overheating could result from contact with liquids. The surfaces of the amplifier and any attached speakers may also heat up and cause minor burns.
- In the event of any abnormality, the power supply to the amplifier is cut off to prevent equipment malfunction. If this occurs, switch the system power off and check the power supply and speaker connections. If you are unable to determine the cause, please contact your dealer.
- Always disconnect the negative \ominus terminal of the battery beforehand to avoid the risk of electric shock or short circuit during installation.
- Do not attempt to disassemble or modify this unit. Doing so may result in fire, electric shock or other malfunction.

CAUTION

- Always keep the volume low enough to hear outside sounds.
- Extended use of the car stereo while the engine is at rest or idling may exhaust the battery.
- This product is evaluated in moderate and tropical climate condition under the Audio, video and similar electronic apparatus - Safety requirements, IEC 62368.
- The graphical symbol  placed on the product means direct current.

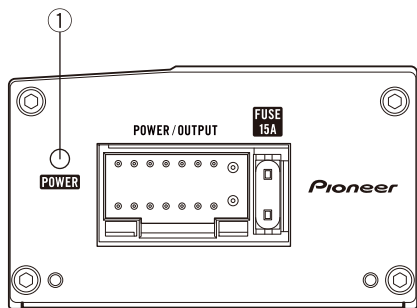
About the protection function

This product has protection function. When this product detects something abnormal, the following functions will operate to protect the product and speaker output.

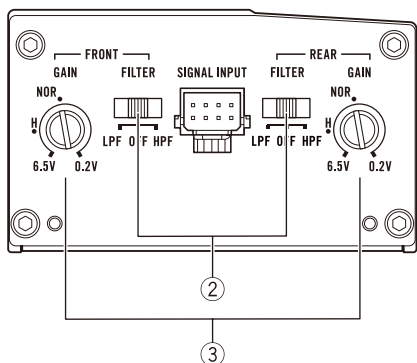
- The power indicator will turn off and the amplifier will shut down in the situations outlined below.
 - If the temperature inside the product gets high.
 - If the speaker output terminal and speaker wire are short-circuited.
 - If a DC voltage is applied to the speaker output terminal.
 - If the battery voltage is outside of the use range.
- The amplifier will reduce the power output if the temperature inside the amplifier gets high. If the temperature gets too high, the power indicator will turn off, and the amplifier will shut down. 

What's what

Right side



Left side



To adjust the switch, use a flathead screwdriver if needed.

① Power indicator

The power indicator lights up to indicate power ON.

② LPF (low-pass filter)/HPF (high-pass filter) select switch

Switch the settings based on the connected speaker.

- When the Subwoofer is connected:
Select **LPF**. This eliminates high range frequency and outputs low range frequency.

- When the full range speaker is connected:
Select **HPF** or **OFF**. **HPF** eliminates low range frequency and output high range frequency. **OFF** outputs the entire frequency range.
- Switch the **LPF/HPF** select switches after turning down the volume of the car stereo.

③ GAIN (gain) control

Adjusting gain controls **FRONT channel and REAR channel** helps align the car stereo output to the Pioneer amplifier. Default setting is the **NORMAL** position.

If the output remains low, even when the car stereo volume is turned up, turn the controls to a lower level. If distortion occurs when the car stereo volume is turned up, turn these controls to a higher level.

- When using a bridged connection, set the gain controls of the front and rear speakers to the same level.
- For use with an RCA equipped car stereo (standard output of 500 mV), set to the **NORMAL** position. For use with an RCA equipped Pioneer car stereo, with maximum output of 4 V or more, adjust level to match that of the car stereo output.
- For use with an RCA equipped car stereo with output of 4 V, set to the **H** position.

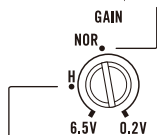
Setting the unit

Setting gain properly

- Protective function included to prevent malfunction of the unit and/or speakers due to excessive output, improper use or improper connection.
- When outputting high volume sound etc., this function cuts off the output for a few seconds as a normal function, but output is restored when the volume of the car stereo is turned down.
- A cut in sound output may indicate improper setting of the gain control. To ensure continuous sound output with the car stereo at a high volume, set amplifier gain control to a level appropriate for the preout maximum output level of the car stereo, so that volume can remain unchanged and to control excess output.
- Despite correct volume and gain settings, the unit sound still cuts out periodically. In such cases, please contact the nearest authorized Pioneer Service Station.

Gain control of this unit

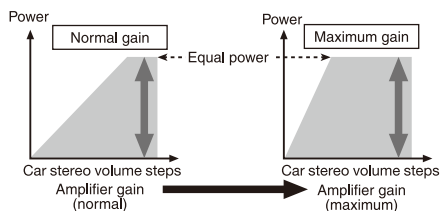
Preout level: 2 V (Standard: 500 mV)



Preout level: 4 V

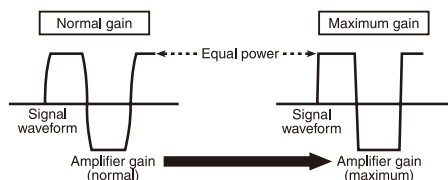
Above illustration shows **NORMAL** gain setting.

Relationship between amplifier gain and car stereo output power



If amplifier gain is raised improperly, this will simply increase distortion, with little increase in power.

Signal waveform when outputting at high volume using amplifier gain control

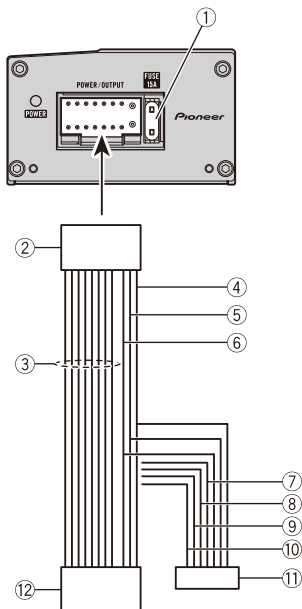


If the signal waveform is distorted due to high output, even if the amplifier gain is raised, the output power will change only slightly. ■

Connection of power cord and speaker

⚠ CAUTION

Connect the yellow cord to the terminal linked to the fuse unit of the car.



- ① Fuse 15 A × 1
- ② To power cord input
- ③ Speaker cord
 - White: Front left ⊕
 - White/black: Front left ⊖
 - Gray: Front right ⊕
 - Gray/black: Front right ⊖
 - Green: Rear left ⊕
 - Green/black: Rear left ⊖
 - Violet: Rear right ⊕
 - Violet/black: Rear right ⊖
- ④ Black (chassis ground)
- ⑤ Yellow
 - Connect to the constant 12 V supply terminal.

- ⑥ Blue/white
 - Connect to system control terminal of the car stereo.
- ⑦ Red
 - Connect to terminal controlled by ignition switch (12 V DC).
- ⑧ Orange/white
 - Connect to lighting switch terminal.
- ⑨ Yellow/black
 - If you use an equipment with Mute function, wire this lead to the Audio Mute lead on that equipment. If not, keep the Audio Mute lead free of any connections.
- ⑩ Pink
 - Connect to car speed signal input.
- ⑪ ISO connector (Power)
 - Connect to the power supply terminal of the car stereo.
- ⑫ ISO connector (Speaker)
 - Connect to the speaker terminal of the car stereo. ▣

Before connecting the amplifier

⚠ WARNING

- Secure the wiring with cable clamps or adhesive tape. To protect the wiring, wrap sections in contact with metal parts in adhesive tape.
- Never cut the insulation of the power supply to feed power to other equipment. Current capacity of the wire is limited.

⚠ CAUTION

- Never shorten any wires, the protection circuit may malfunction.
- Never wire the speaker negative cable directly to ground.
- Never band together multiple speaker's negative cables.

Connecting the units

- If the system remote control wire of the amplifier is connected to the power terminal via the ignition switch (12 V DC), the amplifier will remain on with the ignition whether the car stereo is on or off, which may exhaust battery if the engine is at rest or idling.
- Install and route the Power cord, ground wire, speaker wires and the amplifier as far away as possible from the antenna, antenna cable and tuner.

Other than subwoofer

Speaker channel	Power
Four-channel output	Max. input: Min. 100 W
Two-channel output	Max. input: Min. 200 W
Three-channel Front speaker out	Max. input: Min. 100 W
Three-channel Rear speaker out	Max. input: Min. 200 W



The point of connector attachment/detachment

- Push in the connector until a clicking sound, and connect it certainly.
- When you remove the connector, hold the connector portion and pull it. When the cord is pulled, the cord may be pulled out from the connector.

About suitable specification of speaker

Ensure speakers conform to the following standards, otherwise there is a risk of fire, smoke or damage. Speaker impedance is 2 Ω to 8 Ω , or 4 Ω to 8 Ω for two-channel and other bridge connections.

Subwoofer

Speaker channel	Power
Four-channel output	Nominal input: Min. 45 W
Two-channel output	Nominal input: Min. 90 W
Three-channel Front speaker out	Nominal input: Min. 45 W
Three-channel Rear speaker out	Nominal input: Min. 90 W

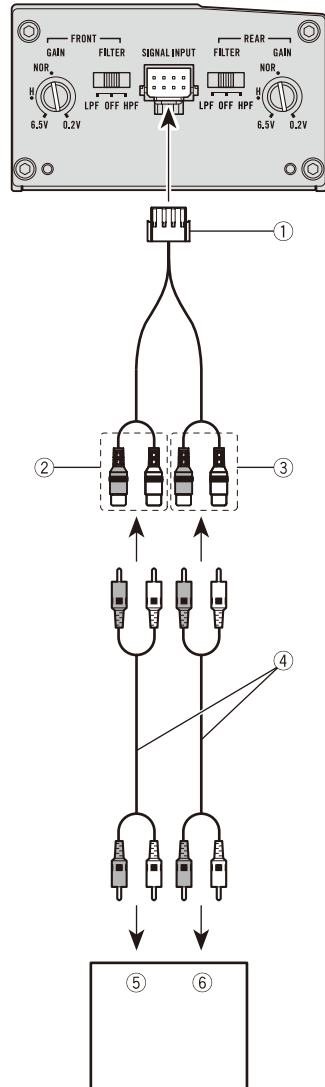
Connections when using the RCA input jack

Connect the car stereo RCA output jack and the RCA input jack of the amplifier.

- Do not connect the speaker to the car stereo for speaker output while using RCA input jack.

If the speaker is connected to the car stereo, since the current consumption of the whole system becomes large, the power must be supplied from a car battery directly.

Four-channel / Three-channel input

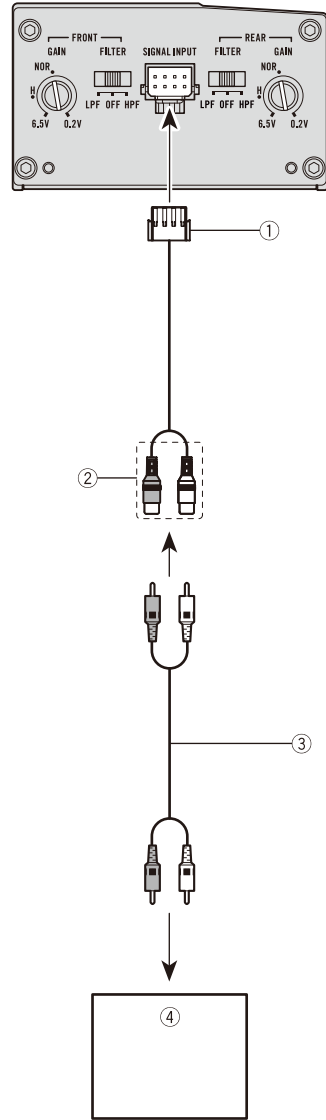


- RCA 4 ch input cord
To signal input terminal of this unit.
- RCA front input
- RCA rear input

Connecting the units

- ④ RCA cables (sold separately)
- ⑤ Car stereo with RCA front output jacks
- ⑥ Car stereo with RCA rear output jacks

Two-channel input (Stereo) / (Mono)



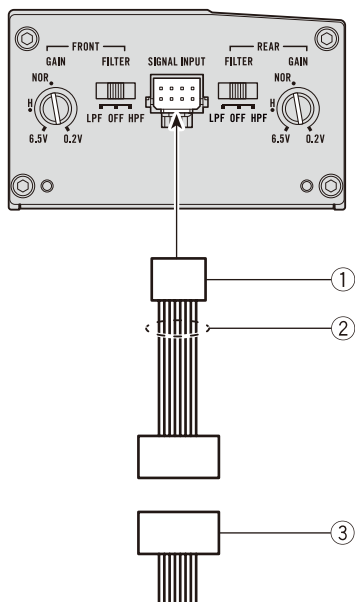
- ① RCA 2 ch input cord
To signal input terminal of this unit.
- ② RCA input

Connecting the units

- ③ RCA cable (sold separately)
- ④ Car stereo with RCA output jacks

Connections when using the speaker input wire

Connect the car stereo speaker output wires to the amplifier using the supplied SP input cord.



- ① SP input cord
To signal input terminal of this unit.
- ② Speaker cord
 - White/black: Front SP, Left ⊖
 - White: Front SP, Left ⊕
 - Gray/black: Front SP, Right ⊖
 - Gray: Front SP, Right ⊕
 - Green/black: Rear SP, Left ⊖
 - Green: Rear SP, Left ⊕
 - Violet/black: Rear SP, Right ⊖
 - Violet: Rear SP, Right ⊕
- ③ ISO connector

Note

If speaker input wires from a car stereo are connected to this amplifier, the amplifier will automatically turn on when the car stereo is turned on. When the car stereo is turned off, the amplifier turns off automatically. This function may not work with some car stereos. In such cases, make sure that the front L channel is connected correctly. If the function still does not work, please use a system remote control wire. If multiple amplifiers are to be connected together synchronously, connect the car stereo and all amplifiers via the system remote control wire.

Installation

Before installing the amplifier

⚠ WARNING

- To ensure proper installation, use the supplied parts in the manner specified. If any parts other than those supplied are used, they may damage internal parts of the amplifier, or become loose causing the amplifier to shut down.
- Do not install in:
 - Places where it could injure the driver or passengers if the vehicle stops suddenly.
 - Places where it may interfere with the driver, such as on the floor in front of the driver's seat.
- Install tapping screws in such a way that the screw tip does not touch any wire. This is important to prevent wires from being cut by vibration of the car, which can result in fire.
- Make sure that wires do not get caught in the sliding mechanism of the seats or touch the legs of a person in the vehicle as short-circuit may result.
- When drilling to install the amplifier, always confirm no parts are behind the panel and protect all cables and important equipment (e.g. fuel/brake lines, wiring) from damage.

⚠ CAUTION

- To ensure proper heat dissipation of the amplifier, ensure the following during installation:
 - Allow adequate space above the amplifier for proper ventilation.
 - Do not cover the amplifier with a floor mat or carpet.
- Protection function may activate to protect the amplifier against overheating due to installation in locations where sufficient heat cannot be dissipated, continuous use under high-volume conditions, etc. In such cases, the amplifier reduces the power output or shuts down until it has cooled to a certain designated temperature.
- Place all cables away from hot places, such as near the heater outlet.

- The optimal installation location differs depending on the car model. Secure the amplifier at a sufficiently rigid location.
- Check all connections and systems before final installation.
- After installing the amplifier, confirm that the spare tire, jack and tools can be easily removed. ▣

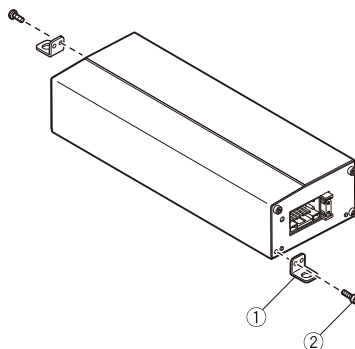
Example of installation on the floor mat or chassis

1 Place the amplifier in the desired installation location.

Insert the supplied tapping screws (4 mm × 18 mm) into the screw holes and push on the screws with a screwdriver so they make an imprint where the installation holes are to be located.

2 Remove each one screws of the left and right on a diagonal line from the side bottom of this unit.

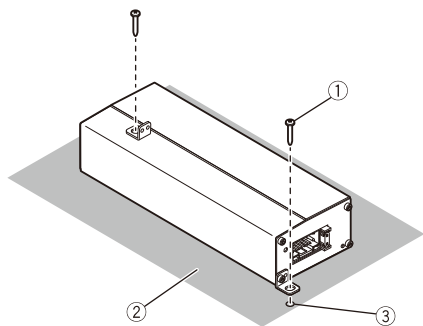
3 Attach the bracket using the removed screws.



- ① Bracket
- ② Screw

4 Drill 2.5 mm diameter holes at the imprints either on the carpet or directly on the chassis.

5 Install the amplifier with the use of supplied tapping screws (4 mm × 18 mm).



- ① Tapping-screws (4 mm × 18 mm)
- ② Floor mat or chassis
- ③ Drill a 2,5 mm diameter hole

Notes

- Do not install the cords in places where they touch the legs of a person as a disconnection or short-circuit may result.
- Do not install the amplifier in a place where water drop may be attached. ■

Additional information

Specifications

Power source	14,4 V DC (10,5 V to 16,0 V allowable)
Grounding system	Negative type
Current consumption	15 A (at continuous power, 4 Ω)
Average current consumption	1,6 A (4 Ω for four channels) 1,6 A (2 Ω for four channels)
Fuse	15 A
Dimensions (W × H × D) ...	181 mm × 38 mm × 64 mm
Weight	0,58 kg (Leads for wiring not included)
Maximum power output	100 W × 4 (at 14,4 V, 4 Ω)
Continuous power output ...	45 W × 4 (at 14,4 V, 4 Ω) 20 Hz to 20 kHz \leq 1 % THD) 45 W × 4 (at 14,4 V, 2 Ω , 1 kHz, \leq 1 % THD)
Load impedance	4 Ω (2 Ω to 8 Ω allowable)
Frequency response	10 Hz to 40 kHz (+0 dB, -3 dB)
Signal-to-noise ratio	93 dB (IEC-A network)
Distortion	0,05 % (4 W, 1 kHz)
Low pass filter:	
Cut off frequency	80 Hz
Cut off slope	-12 dB/oct
High pass filter:	
Cut off frequency	80 Hz
Cut off slope	-12 dB/oct
Gain control:	
RCA	200 mV to 6,5 V
Speaker	0,8 V to 16 V
Maximum input level / impedance:	
RCA	6,5 V / 22 k Ω
Speaker	16 V / 22 k Ω

In order to listen to music with Hi-Res sound quality, all components complied with High-Resolution Audio Standard of Japan Audio Society are recommended to use.



The product with this logo is conformed to High-Resolution Audio standard defined by Japan Audio Society. This logo is used under license from Japan Audio Society.

Notes

- Specifications and the design are subject to modifications without notice.
- The average current consumption is nearly the maximum current consumption by this unit when an audio signal is input. Use this value when working out total current consumption by multiple power amplifiers.

Nous vous remercions d'avoir acheté cet appareil PIONEER


Pour garantir une utilisation correcte, lisez bien ce mode d'emploi avant d'utiliser cet appareil. Il est particulièrement important que vous lisiez et respectiez les indications **ATTENTION** et **PRÉCAUTION** de ce mode d'emploi. *Conservez-le dans un endroit sûr et facilement accessible pour toute consultation ultérieure.*



Si vous souhaitez vous débarrasser de cet appareil, ne le mettez pas à la poubelle avec vos ordures ménagères. Il existe un système de collecte séparé pour les appareils électroniques usagés, qui doivent être récupérés, traités et recyclés conformément à la législation.

Dans les états membres de l'UE, en Suisse et en Norvège, les foyers domestiques peuvent rapporter leurs produits électroniques usagés gratuitement à des points de collecte spécifiés ou à un revendeur (sous réserve d'achat d'un produit similaire).


Dans les pays qui ne sont pas mentionnés ci-dessus, veuillez contacter les autorités locales pour vous informer de la méthode correcte de mise au rebut.

En agissant ainsi vous assurerez que le produit que vous mettez au rebut est soumis au processus de traitement, de récupération et de recyclage nécessaire et évitez ainsi les effets négatifs potentiels sur l'environnement et la santé publique. 


Visitez notre site Web

Rendez-nous visite sur le site suivant :

<https://www.pioneer-car.eu/eur>

- Enregistrez votre produit. Nous conserverons les détails de votre achat dans nos fichiers pour vous aider à faire référence à ces informations pour une déclaration d'assurance en cas de perte ou de vol.
- Notre site Web fournit les informations les plus récentes sur PIONEER CORPORATION. 

Si vous rencontrez des problèmes

En cas d'anomalie, consultez le distributeur ou le service d'entretien agréé par Pioneer le plus proche. 

Avant de connecter/ d'installer l'amplificateur



ATTENTION

- Cet appareil est utilisable sur des véhicules équipés d'une batterie 12 V avec mise à la masse du négatif. Vérifiez la tension de la batterie avant l'installation dans des véhicules de caravanning, des camions ou des bus.
- Lorsque le fusible du véhicule qui alimente cet appareil est inférieur à 15 A, alimentez directement cet appareil depuis une batterie. En outre, ne connectez pas le haut-parleur à la sortie des haut-parleurs du système stéréo du véhicule pendant l'utilisation de cet appareil.


Si le haut-parleur est connecté au système stéréo du véhicule, l'alimentation doit être effectuée directement depuis la batterie du véhicule car la consommation électrique de l'ensemble du système devient plus importante.

Avant de commencer

- Lors de l'installation de cet appareil, veillez à connecter d'abord le fil de masse. Assurez-vous que le fil de masse est connecté correctement aux parties métalliques de la carrosserie du véhicule. Le fil de masse de cet appareil doit être connecté indépendamment au véhicule à l'aide de vis différentes. Si la vis du fil de masse se desserre ou tombe, il peut en résulter un incendie, de la fumée ou un dysfonctionnement.
- Utilisez toujours un fusible correspondant aux caractéristiques spécifiées. L'utilisation d'un fusible incorrect peut entraîner une surchauffe et de la fumée, des dommages au niveau du produit et des blessures, incluant des brûlures.
- Vérifiez les connexions de l'alimentation et des haut-parleurs en cas de rupture du fusible de l'amplificateur. Déterminez la cause et résolvez le problème, puis remplacez le fusible par un fusible identique.
- Installez toujours l'amplificateur sur une surface plane. N'installez pas l'amplificateur sur une surface qui n'est pas plane ou sur une surface présentant une saillie. Ceci pourrait entraîner un dysfonctionnement.
- Lors de l'installation de l'amplificateur, ne laissez pas des pièces telles que des vis supplémentaires se coincer entre l'amplificateur et l'automobile. Ceci pourrait entraîner un dysfonctionnement.
- Ne laissez pas cet appareil entrer en contact avec des liquides. Cela pourrait provoquer une électrocution. Tout contact avec des liquides pourrait aussi provoquer des dommages, de la fumée et une surchauffe de l'appareil. Les surfaces de l'amplificateur et des haut-parleurs connectés peuvent également chauffer et entraîner des brûlures mineures.
- En cas d'événement anormal, l'alimentation de l'amplificateur est coupée de manière à éviter tout dysfonctionnement de l'équipement. Dans ce cas, coupez l'alimentation du système et vérifiez les connexions de l'alimentation et des haut-parleurs. Si vous n'êtes pas en mesure de déterminer la cause, veuillez contacter votre revendeur.


- Déconnectez toujours la borne négative \ominus de la batterie préalablement, de manière à éviter tout risque de choc électrique ou de court-circuit lors de l'installation.
- N'essayez pas de démonter ou de modifiez cet appareil. Ceci pourrait provoquer un incendie, une électrocution ou tout autre dysfonctionnement.

PRÉCAUTION

- Maintenez le niveau d'écoute à une valeur telle que vous puissiez entendre les sons provenant de l'extérieur.
- L'utilisation prolongée du système stéréo du véhicule lorsque le moteur est à l'arrêt ou au ralenti peut épuiser la batterie.
- Ce produit est évalué sous des conditions climatiques modérées et tropicales conformément à la norme IEC 62368 sur les Appareils audio, vidéo et appareils électroniques analogues - Exigences de sécurité.
- Le symbole graphique  situé sur le produit représente le courant continu.

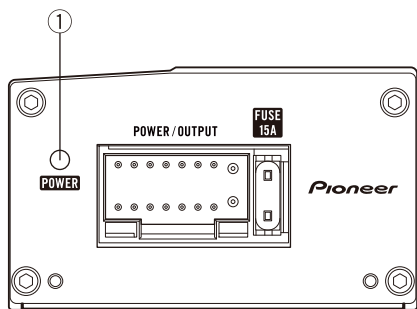
Quelques mots sur la fonction de protection

Ce produit est doté d'une fonction de protection. Lorsque ce produit détecte une anomalie, les fonctions suivantes permettent de protéger le produit et la sortie du haut-parleur.

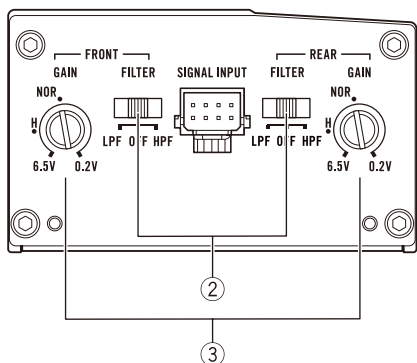
- L'indicateur de mise sous tension s'éteint et l'amplificateur se mettra hors service dans les situations indiquées ci-dessous.
 - Si la température à l'intérieur du produit est élevée.
 - Si la borne de sortie des haut-parleurs et le fil du haut-parleur sont en court-circuit.
 - Si une tension CC est appliquée à la borne de sortie des haut-parleurs.
 - Si la tension de la batterie est en dehors de la plage de fonctionnement.
- L'amplificateur réduira la puissance de sortie si la température à l'intérieur de l'amplificateur est élevée. Si la température est trop élevée, l'indicateur de mise sous tension s'éteint et l'amplificateur se met hors service. 

Description de l'appareil

Côté droit



Côté gauche



Si nécessaire, utilisez un tournevis plat pour régler le commutateur.

① Indicateur de mise sous tension

L'indicateur de mise sous tension s'allume pour indiquer la mise sous tension.

② Commutateur de sélection LPF (filtre passe-bas)/HPF (filtre passe-haut)

Basculez les réglages en fonction du haut-parleur connecté.

- Lorsque le haut-parleur d'extrêmes graves est connecté : Sélectionnez **LPF**. Cela supprime les fréquences élevées et émet à basse fréquence.

- Lorsque le haut-parleur pleine gamme est connecté : Sélectionnez **HPF** ou **OFF**. **HPF** supprime les basses fréquences et émet à haute fréquence. **OFF** émet la gamme de fréquences complète.
- Actionnez le commutateur de sélection **LPF/HPF** après avoir baissé le volume de l'appareil central.

③ Commande GAIN (gain)

Le réglage des commandes de gain canal **AVANT** et canal **ARRIÈRE** aide à aligner la sortie stéréo du véhicule sur l'amplificateur Pioneer. Le réglage par défaut est la position **NORMAL**. Si la sortie reste faible alors que le volume du système stéréo du véhicule a été augmenté, tournez les commandes vers un niveau plus faible. En cas de distorsion lors de l'augmentation du volume du système stéréo du véhicule, tournez les commandes vers un niveau plus élevé.

- Si l'amplificateur est utilisé en mode ponté, réglez les commandes de gain avant et arrière au même niveau.
- Procédez au réglage sur la position **NORMAL** pour l'utilisation avec un système stéréo de véhicule équipé d'une sortie RCA (sortie standard de 500 mV). Pour l'utilisation avec un système stéréo de véhicule Pioneer équipé d'une sortie RCA, dont la sortie maximale est de 4 V ou plus, réglez le niveau en fonction de celui de sortie du système stéréo du véhicule.
- Procédez au réglage sur la position **H** pour l'utilisation avec un système stéréo de véhicule équipé d'une sortie de 4 V.

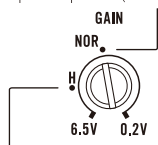
Réglage de l'appareil

Réglage correct du gain

- Fonction de protection incluse pour éviter tout dysfonctionnement de l'appareil et/ou des haut-parleurs lié à une sortie excessive ou à une utilisation ou une connexion incorrecte.
- Lors de l'émission de sons à haut volume, etc., cette fonction coupe l'émission pendant quelques secondes. L'émission est cependant rétablie une fois le volume de l'appareil central baissé.
- Une coupure de la sortie son peut indiquer un réglage incorrect de la commande de gain. Afin de garantir une émission sonore continue lorsque le volume de l'appareil central est élevé, réglez la commande de gain de l'amplificateur à un niveau adapté au niveau de sortie maximal de la sortie préamp de l'appareil central de manière à ce que le volume ne nécessite aucune modification et à ce que les sorties excessives soient contrôlées.
- Le son de l'appareil est régulièrement coupé alors que les réglages du gain et du volume sont corrects. Dans de tels cas, veuillez contacter le Centre d'entretien agréé par Pioneer le plus proche.

Commande de gain de l'appareil

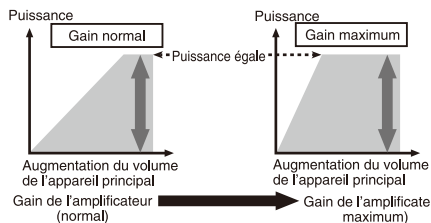
Niveau de préamp : 2V (standard : 500 mV)



Niveau de préamp : 4V

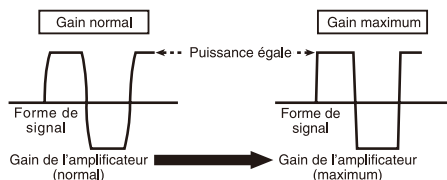
L'illustration ci-dessus représente le réglage de gain **NORMAL**.

Relation entre le gain de l'amplificateur et la puissance de sortie de l'appareil central



Si le gain de l'amplificateur est augmenté de manière incorrecte, les distorsions augmentent sans que la puissance soit beaucoup plus importante.

Forme de signal lors de l'émission à volume élevé avec la commande de gain de l'amplificateur

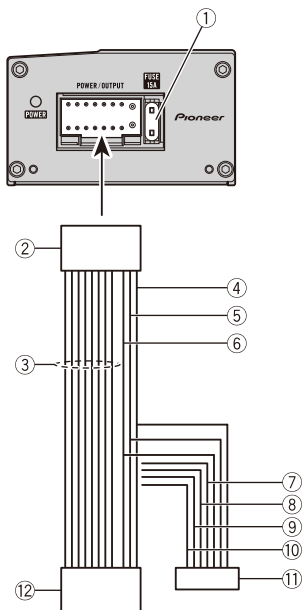


Si la forme de signal est distordue à cause d'une sortie élevée, la puissance de sortie ne sera que légèrement modifiée même en augmentant le gain de l'amplificateur. ■

Connexion du cordon d'alimentation et des haut-parleurs

⚠ PRÉCAUTION

Connectez le cordon jaune à la borne reliant au fusible du véhicule.



- ① Fusible 15 A x 1
- ② Vers l'entrée cordon d'alimentation
- ③ Cordon des haut-parleurs
Blanc : Avant gauche ⊕
Blanc/noir : Avant gauche ⊖
Gris : Avant droite ⊕
Gris/noir : Avant droite ⊖
Vert : Arrière gauche ⊕
Vert/noir : Arrière gauche ⊖
Violet : Arrière droite ⊕
Violet/noir : Arrière droite ⊖
- ④ Noir (masse du châssis)
- ⑤ Jaune
Connectez à la borne d'alimentation 12 V permanente.

- ⑥ Bleu/blanc
Connectez à la borne de commande du système stéréo du véhicule.
- ⑦ Rouge
Connectez à la borne contrôlée par le contact d'allumage (12 V CC).
- ⑧ Orange/blanc
Connectez à la borne du commutateur d'éclairage.
- ⑨ Jaune/noir
Si vous utilisez un équipement avec la fonction Coupure du son, câblez ce fil au fil Coupure Audio de cet équipement. Sinon, ne connectez rien au fil Coupure Audio.
- ⑩ Rose
Connectez à l'entrée du signal de vitesse du véhicule.
- ⑪ Connecteur ISO (alimentation)
Connectez à la borne d'alimentation du système stéréo du véhicule.
- ⑫ Connecteur ISO (haut-parleur)
Connectez à la borne des haut-parleurs du système stéréo du véhicule. ■

Avant de connecter l'amplificateur


⚠ ATTENTION

- Fixez le câblage avec des serre-fils ou de la bande adhésive. Pour protéger le câblage, enroulez les sections en contact avec des pièces en métal dans du ruban adhésif.
- Ne découpez jamais l'isolation de l'alimentation pour alimenter d'autres équipements. La capacité en courant du fil est limitée.


⚠ PRÉCAUTION

- Ne raccourcissez jamais aucun fil, faute de quoi le circuit de protection risque de fonctionner de manière incorrecte.
- Ne câblez jamais le câble négatif du haut-parleur directement à la masse.
- Ne réunissez jamais ensemble les câbles négatifs de plusieurs haut-parleurs.

Connexion des appareils

- Si le fil de la télécommande du système de l'amplificateur est connecté à la borne d'alimentation via le contact d'allumage (12 V CC), l'amplificateur reste sous tension que le système stéréo du véhicule soit allumé ou non, ce qui peut épuiser la batterie lorsque le moteur est à l'arrêt ou au ralenti.
- Installez et positionnez le cordon d'alimentation, le fil de masse, les fils des haut-parleurs et l'amplificateur aussi loin que possible de l'antenne, du câble d'antenne et du syntoniseur. 

Connexion et déconnexion du connecteur

- Enfoncez le connecteur jusqu'à ce qu'un dé clic indique qu'il est bien connecté.
- Tenez le connecteur et tirez-le pour le déconnecter. Si vous tirez sur le cordon, il peut se déconnecter du connecteur. 

À propos de la spécification adaptée des haut-parleurs

Vérifiez que les haut-parleurs sont conformes aux normes suivantes, faute de quoi ils présenteront un risque d'incendie, de fumée ou de dommages. L'impédance des haut-parleurs est de $2\ \Omega$ à $8\ \Omega$ ou de $4\ \Omega$ à $8\ \Omega$ pour les connexions pontées deux canaux et autres.

Haut-parleur d'extrêmes graves

Canal du haut-parleur	Alimentation
Sortie quatre canaux	Entrée nominale : 45 W min.
Sortie deux canaux	Entrée nominale : 90 W min.

Canal du haut-parleur	Alimentation
Sortie du haut-parleur avant trois canaux	Entrée nominale : 45 W min.
Sortie du haut-parleur arrière trois canaux	Entrée nominale : 90 W min.

Haut-parleur autre que le haut-parleur d'extrêmes graves

Canal du haut-parleur	Alimentation
Sortie quatre canaux	Entrée max. : 100 W min.
Sortie deux canaux	Entrée max. : 200 W min.
Sortie du haut-parleur avant trois canaux	Entrée max. : 100 W min.
Sortie du haut-parleur arrière trois canaux	Entrée max. : 200 W min.



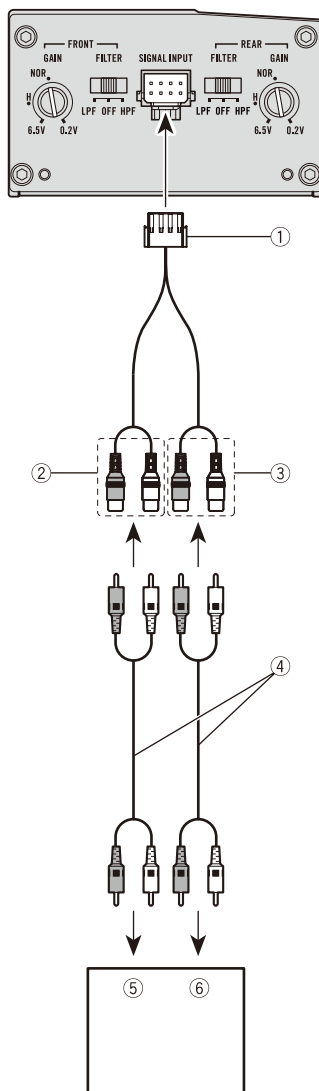
Connexions lors de l'utilisation du jack d'entrée RCA

Connectez le jack de sortie RCA du système stéréo du véhicule et le jack d'entrée RCA de l'amplificateur.

- Ne connectez pas le haut-parleur à la sortie des haut-parleurs du système stéréo du véhicule lors de l'utilisation du jack d'entrée RCA.

Si le haut-parleur est connecté au système stéréo du véhicule, l'alimentation doit être effectuée directement depuis la batterie du véhicule car la consommation électrique de l'ensemble du système devient plus importante.

Entrée quatre/trois canaux

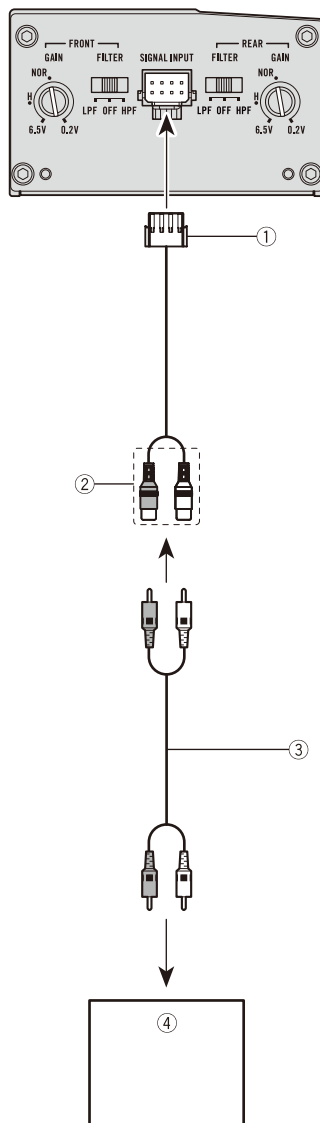


- ① Cordon d'entrée RCA 4 ch
Vers la borne d'entrée des signaux de cet appareil.
- ② Entrée avant RCA

Connexion des appareils

- ③ Entrée arrière RCA
- ④ Câbles RCA (vendus séparément)
- ⑤ Système stéréo de véhicule avec jacks de sortie avant RCA
- ⑥ Système stéréo de véhicule avec jacks de sortie arrière RCA

Entrée deux canaux (stéréo)/(mono)



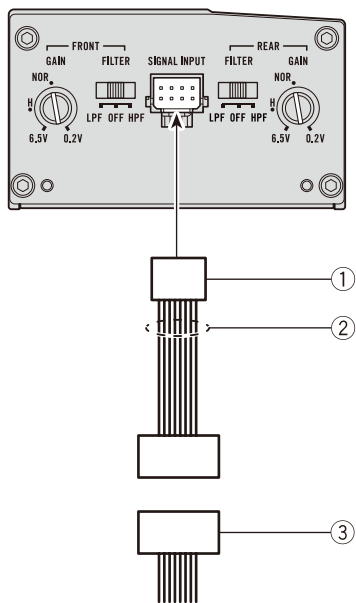
- ① Cordon d'entrée RCA 2 ch
Vers la borne d'entrée des signaux de cet appareil.

Connexion des appareils

- ② Entrée RCA
- ③ Câble RCA (vendu séparément)
- ④ Système stéréo de véhicule avec jacks de sortie RCA

Connexions lors de l'utilisation du fil d'entrée des haut-parleurs

Connectez les fils de sortie des haut-parleurs du système stéréo du véhicule à l'amplificateur à l'aide du cordon d'entrée des haut-parleurs fourni.



- ① Cordon d'entrée des haut-parleurs
Vers la borne d'entrée des signaux de cet appareil.

- ② Cordon des haut-parleurs
 - Blanc/noir: Haut-parleur avant, gauche ⊖
 - Blanc : Haut-parleur avant, gauche ⊕
 - Gris/noir : Haut-parleur avant, droit ⊖
 - Gris : Haut-parleur avant, droit ⊕
 - Vert/noir : Haut-parleur arrière, gauche ⊖
 - Vert : Haut-parleur arrière, gauche ⊕
 - Violet/noir : Haut-parleur arrière, droit ⊖
 - Violet : Haut-parleur arrière, droit ⊕
- ③ Connecteur ISO

Remarque

Si les fils d'entrée des haut-parleurs d'un appareil central sont connectés à cet amplificateur, l'amplificateur se met automatiquement en service lorsque l'appareil central est mis en service. Lorsque l'appareil central est mis hors service, l'amplificateur se met automatiquement hors service. Cette fonction peut ne pas fonctionner avec certains appareils centraux. Dans ce cas, assurez-vous que le canal avant gauche est connecté correctement. Si la fonction ne fonctionne pas, utilisez un fil de télécommande du système. Si plusieurs amplificateurs doivent être connectés ensemble de manière synchrone, reliez l'appareil central et tous les amplificateurs via le fil de la télécommande du système.

Installation

Avant d'installer l'amplificateur



ATTENTION

- Afin de garantir une installation correcte, utilisez les pièces fournies de la manière indiquée. Si vous utilisez des pièces autres que celles fournies, celles-ci risquent d'endommager des pièces internes de l'amplificateur ou peuvent se desserrer, ce qui entraînerait l'arrêt de l'amplificateur.
- Ne procédez pas à l'installation dans :
 - Des emplacements où l'appareil peut blesser le conducteur ou les passagers en cas d'arrêt soudain du véhicule.
 - Des emplacements où l'appareil peut gêner le conducteur, tels que sur le sol devant le siège du conducteur.
- Installez les vis autotaraudeuses de telle manière que la pointe des vis n'entre en contact avec aucun fil. Cela est important pour éviter toute coupure des fils par les vibrations du véhicule, ce qui pourrait entraîner un incendie.
- Assurez-vous que les fils ne sont pas coincés dans le mécanisme coulissant des sièges ou ne touchent pas les jambes d'un passager, car cela pourrait entraîner un court-circuit.
- Lorsque vous percez pour installer l'amplificateur, vérifiez toujours qu'il n'y a aucune pièce derrière le panneau et que tous les câbles et équipements importants (conduites de carburant/freinage, câblage, par exemple) sont protégés des dommages.



PRÉCAUTION

- Afin de garantir une dissipation de la chaleur correcte au niveau de l'amplificateur, vérifiez les points suivants lors de l'installation :
 - Laissez suffisamment de place au-dessus de l'amplificateur pour permettre une ventilation correcte.
 - Ne couvrez pas l'amplificateur avec un tapis de sol ou de la moquette.

- La fonction de protection peut s'activer afin de protéger l'amplificateur contre une surchauffe causée par une installation dans un emplacement dans lequel la chaleur ne peut pas se dissiper suffisamment, une utilisation continue à un volume élevé, etc. Le cas échéant, l'amplificateur réduit la puissance de sortie ou se met hors service jusqu'à ce qu'il se soit refroidi et atteigne une certaine température.
- Placez les câbles à l'écart de tous les endroits chauds, par exemple les sorties de chauffage.
- L'emplacement d'installation optimal varie en fonction du modèle de véhicule. Fixez l'amplificateur à un emplacement suffisamment rigide.
- Vérifiez toutes les connexions et tous les systèmes avant l'installation finale.
- Une fois l'amplificateur installé, vérifiez que la roue de secours, le cric et les outils peuvent facilement être retirés. ▣

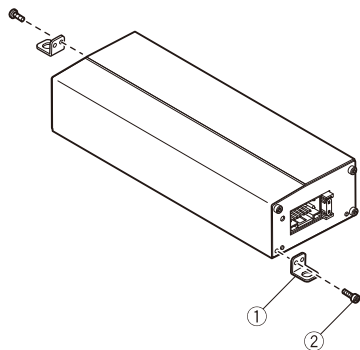
Exemple d'installation sur le tapis de sol ou le châssis

1 Placez l'amplificateur à l'emplacement d'installation souhaité.

Insérez les vis autotaraudeuses fournies (4 mm × 18 mm) dans les trous pour vis et appuyez sur les vis à l'aide d'un tournevis de manière à créer une empreinte de l'emplacement des trous d'installation.

2 Retirez une vis à gauche et à droite par rapport à une ligne diagonale du côté au bas de cet appareil.

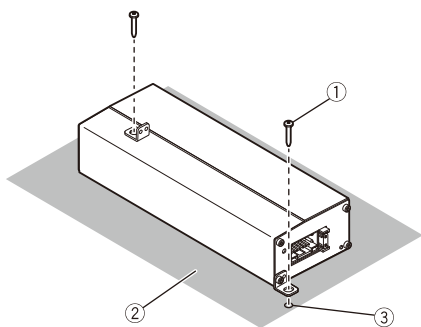
3 Fixez le support à l'aide des vis retirées.



- ① Support
- ② Vis

4 Percez des trous de 2,5 mm de diamètre au niveau des empreintes, sur le sol ou directement sur le châssis.

5 Installez l'amplificateur à l'aide des vis autotaraudeuses fournies (4 mm × 18 mm).



- ① Vis autotaraudeuses (4 mm × 18 mm)
- ② Tapis de sol ou châssis
- ③ Percez un trou de 2,5 mm de diamètre.

Remarques

- N'installez pas les cordons dans un emplacement où ils peuvent être en contact avec les jambes d'un passager car cela pourrait entraîner une déconnexion ou un court-circuit.
- N'installez pas l'amplificateur dans un emplacement où il peut être en contact avec des gouttes d'eau. ■

Informations complémentaires

Caractéristiques techniques

Tension d'alimentation	14,4 V CC (10,5 V à 16,0 V acceptable)
Mise à la masse	Pôle négatif
Consommation électrique	15 A (4 Ω en alimentation en continu)
Consommation électrique moyenne	1,6 A (4 Ω pour quatre canaux) 1,6 A (2 Ω pour quatre canaux)
Fusible	15 A
Dimensions (L \times H \times P)	181 mm \times 38 mm \times 64 mm
Poids	0,58 kg (fils de câblage non inclus)
Puissance de sortie maximale	100 W \times 4 (à 14,4 V, 4 Ω)
Puissance de sortie continue	45 W \times 4 (à 14,4 V, 4 Ω 20 Hz à 20 kHz \leq 1 % DHT) 45 W \times 4 (à 14,4 V, 2 Ω 1 kHz, \leq 1 % DHT)
Impédance de charge	4 Ω (2 Ω à 8 Ω acceptable)
Réponse en fréquence	10 Hz à 40 kHz (+0 dB, -3 dB)
Rapport signal/bruit	93 dB (réseau IEC-A)
Distorsion	0,05 % (4 W, 1 kHz)
Filter passe-bas :	
Fréquence de coupure	80 Hz
Pente de coupure	-12 dB/octave
Filter passe-haut :	
Fréquence de coupure	80 Hz
Pente de coupure	-12 dB/octave
Commande de gain :	
RCA	200 mV à 6,5 V
Haut-parleur	0,8 V à 16 V
Niveau d'entrée maximal/impédance :	
RCA	6,5 V / 22 k Ω
Haut-parleur	16 V / 22 k Ω

Afin d'écouter de la musique avec une qualité audio haute résolution, il est recommandé d'utiliser tous les composants conformes à la norme audio haute résolution de Japan Audio Society,



Le produit avec ce logo est conforme à la norme audio haute résolution définie par Japan Audio Society. Ce logo est utilisé sous licence de Japan Audio Society.

Remarques

- Les caractéristiques et la présentation peuvent être modifiées sans avis préalable.
- La consommation électrique moyenne correspond quasiment à la consommation électrique maximale de cet appareil lors de l'entrée d'un signal audio. Utilisez cette valeur lors du calcul de la consommation électrique maximale de plusieurs amplificateurs.

Grazie per aver acquistato questo prodotto PIONEER


Leggere attentamente questo manuale prima di utilizzare il prodotto, per assicurarne il corretto utilizzo. È particolarmente importante leggere e osservare le precauzioni contrassegnate da **AVVERTENZA** e **ATTENZIONE** contenute in questo manuale. *Conservare il manuale in un luogo sicuro e accessibile, per consultazione futura.*




Se si vuole eliminare questo prodotto, non gettarlo insieme ai rifiuti domestici. Esiste un sistema di raccolta differenziata in conformità alle leggi che richiedono appositi trattamenti, recupero e riciclo.


Gli utenti privati dei Paesi membri dell'Unione Europea, della Svizzera e della Norvegia possono portare i propri prodotti elettronici gratuitamente presso i centri di raccolta specificati o presso il rivenditore al dettaglio (se l'acquisto è stato eseguito presso un rivenditore di questo tipo).

Per i Paesi non specificati in precedenza, contattare le autorità locali per informazioni sul corretto metodo di smaltimento.

In questo modo si garantirà che il prodotto smaltito subisca i processi di trattamento, recupero e riciclaggio necessari per prevenire i potenziali effetti negativi per l'ambiente e la salute umana. 

- Sarà possibile registrare il prodotto. Pioneer conserverà i dettagli dell'acquisto per agevolare il riferimento a tali informazioni nel caso di una richiesta di risarcimento assicurativa, come in caso di furto o smarrimento.
- Sul nostro sito Web sono disponibili le informazioni più recenti su PIONEER CORPORATION. 

In caso di problemi

Nel caso che questo prodotto non funzioni correttamente, contattare il rivenditore o il Centro di assistenza autorizzato Pioneer più vicino. 

Prima di collegare/ installare l'amplificatore



AVVERTENZA

- Questa unità è compatibile con i veicoli dotati di batteria da 12 volt e messa a terra negativa. Prima di installarla in un veicolo ricreazionale, su un camion o un bus, controllare la tensione della batteria.
- Se il fusibile del veicolo che eroga l'alimentazione a questa unità è inferiore a 15 A, erogare l'alimentazione all'unità direttamente da una batteria.

Inoltre, quando si usa questa unità, non collegare gli altoparlanti all'uscita altoparlanti del car stereo.

Se si collegano gli altoparlanti al car stereo, è necessario erogare direttamente l'alimentazione da una batteria, altrimenti il consumo di corrente aumenterebbe eccessivamente.

Visita il nostro sito Web

Visita il seguente sito Web:


<https://www.pioneer-car.eu/eur>

Prima di iniziare

- Quando si installa l'unità, assicurarsi di collegare per prima cosa il cavo di messa a terra. Verificare che il cavo di messa a terra sia correttamente collegato alla scocca metallica del veicolo. Il cavo di messa a terra dell'unità deve essere collegato al veicolo separatamente con viti diverse. Se la vite per il cavo di messa a terra si allenta o cade, possono verificarsi incendi, emissione di fumo o danni.
- Utilizzare esclusivamente fusibili della portata prescritta. L'uso di fusibili non corretti potrebbe provocare surriscaldamento e emissione di fumo, danni al prodotto e lesioni personali, come ustioni.
- Se il fusibile dell'amplificatore si brucia, controllare i collegamenti dell'alimentazione e degli altoparlanti. Determinare e risolvere la causa del problema, quindi sostituire il fusibile con un equivalente identico.
- Installare sempre l'amplificatore su una superficie piatta. Evitare di installarlo su superfici non piane o con sporgenze. In caso contrario, possono verificarsi malfunzionamenti.
- Durante l'installazione dell'amplificatore, evitare che parti come viti in eccesso rimangano incastrate tra l'amplificatore e il veicolo. In caso contrario, possono verificarsi malfunzionamenti.
- Non lasciare che questa unità entri in contatto con liquidi, in caso contrario possono verificarsi scosse elettriche. Inoltre, in caso di contatto con liquidi, possono verificarsi surriscaldamento, emissione di fumo, e danni all'unità.
Inoltre potrebbero surriscaldarsi le superfici dell'amplificatore e degli altoparlanti collegati, con conseguenti pericoli di ustioni.
- In caso di anomalie, l'alimentazione verso l'amplificatore viene scollegata per impedire malfunzionamenti del prodotto. In questo caso, scollegare l'alimentazione dell'intero sistema e verificare i collegamenti della sorgente di alimentazione e degli altoparlanti. Se non si riesce a determinare la causa del problema, contattare il rivenditore.


- Durante l'installazione, verificare sempre preventivamente che il terminale negativo della batteria \ominus sia scollegato, per evitare il rischio di folgorazione o corto circuito.
- Non tentare di smontare o modificare questa unità. Ciò potrebbe causare incendi, scosse elettriche o altri malfunzionamenti.

ATTENZIONE

- Mantenere sempre il volume basso abbastanza da poter udire i suoni provenienti dall'esterno.
- L'uso prolungato del car stereo mentre il motore del veicolo è spento o la marcia è in folle, potrebbe scaricare la batteria.
- Questo prodotto è stato sottoposto a valutazione in condizioni climatiche temperate e tropicali in conformità alla norma IEC 62368: Apparecchi audio, video ed apparecchi elettronici simili - Requisiti di sicurezza.
- Il simbolo grafico  situato sul prodotto significa corrente continua.

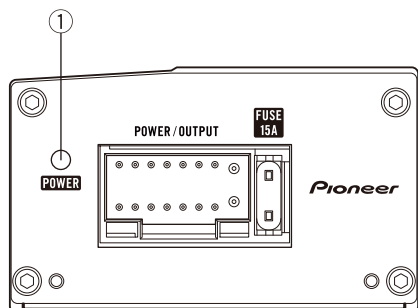
Informazioni sulla funzione di protezione

Questo prodotto è dotato della funzione di protezione. Quando questo prodotto rileva anomalie, le funzioni riportate di seguito si attiveranno per proteggere l'uscita del prodotto e degli altoparlanti.

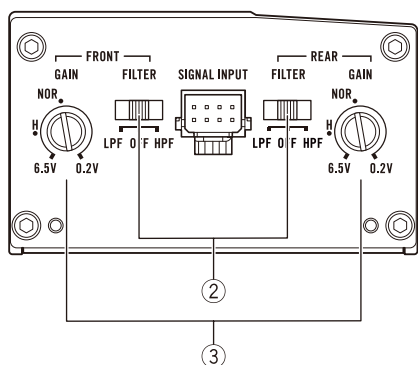
- Nelle situazioni descritte di seguito l'indicatore di accensione e l'amplificatore si spegneranno.
 - Se la temperatura all'interno del prodotto diventa troppo alta.
 - Se il terminale di uscita altoparlanti o il cavo altoparlanti sono in corto circuito.
 - Se al terminale di uscita altoparlanti viene applicata tensione CC.
 - Se la tensione della batteria è al di fuori dell'intervallo di utilizzo consentito.
- L'amplificatore ridurrà la potenza in uscita se la temperatura all'interno dell'amplificatore diventa troppo alta. In questo caso, l'indicatore di accensione e l'amplificatore si spegneranno. 

Nomenclatura

Lato destro



Lato sinistro



Se è necessario regolare la posizione dell'interruttore, utilizzare un cacciavite a testa piatta.

① Indicatore di accensione

L'indicatore di accensione si illumina per indicare che l'alimentazione è collegata.

② Selettore LPF (filtro passa-basso)/HPF (filtro passa-alto)

Regolare il selettore a seconda del tipo di altoparlanti collegati.

- Se è collegato un subwoofer: Selezionare **LPF**. Questa impostazione elimina le frequenze di gamma superiore e trasmette frequenze di gamma inferiore.

- Se sono collegati altoparlanti a gamma completa: Selezionare **HPF** o **OFF**. L'impostazione **HPF** elimina le frequenze di gamma inferiore e trasmette frequenze di gamma superiore. L'impostazione **OFF** trasmette l'intera gamma di frequenza.
- Prima di utilizzare i selettori **LPF/HPF**, abbassare il volume dell'unità principale.

③ Comando GAIN (guadagno)

La regolazione dei comandi del guadagno canale **FRONTALE** e canale **POSTERIORE** contribuisce ad allineare l'uscita del car stereo a quella dell'amplificatore Pioneer. L'impostazione predefinita è la posizione **NORMAL**.

Se il suono in uscita rimane basso anche quando si aumenta il volume del car stereo, portare i comandi su un livello inferiore. Se quando si aumenta il volume del car stereo il suono risulta distorto, portare i comandi su un livello superiore.

- Quando usi una connessione a ponte, imposta il controllo del guadagno degli speaker anteriore e posteriore allo stesso valore.
- In caso di uso in combinazione con un car stereo dotato di presa di tipo RCA (uscita standard di 500 mV), portare i comandi sulla posizione **NORMAL**. In caso di uso in combinazione con un car stereo Pioneer dotato di presa di tipo RCA con potenza di uscita massima di 4 V, o più, regolare il livello in modo che si adegui al livello di uscita del car stereo.
- In caso di uso in combinazione con un car stereo dotato di presa di tipo RCA con uscita di 4 V, portare i comandi sulla posizione **H**.

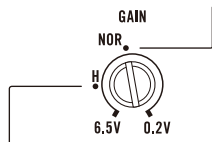
Impostazione dell'unità

Impostazione corretta del guadagno

- È inclusa una funzione di protezione per impedire malfunzionamenti dell'unità e/o degli altoparlanti dovuti a livelli di uscita eccessivi, o a uso o collegamenti non corretti.
- Se l'audio viene emesso a volume eccessivo, e in altre condizioni di questo tipo, questa funzione interrompe l'uscita per alcuni secondi. L'uscita dell'audio riprende quando il volume sull'unità principale viene ridotto.
- Se l'uscita dell'audio viene interrotta, i comandi del guadagno potrebbero essere stati regolati in modo non corretto. Per assicurare che l'audio venga emesso costantemente anche se il volume dell'unità principale è alto, regolare il comando del guadagno dell'amplificatore su un livello adatto al livello massimo di uscita preamplificato dell'unità principale, in modo che il volume non subisca variazioni e che si limitino le emissioni audio eccessive.
- Anche se il volume e il guadagno sono regolati correttamente, l'audio dell'unità potrebbe venire periodicamente interrotto. In questi casi, contattare la stazione assistenza Pioneer più vicina.

Comando del guadagno di questa unità

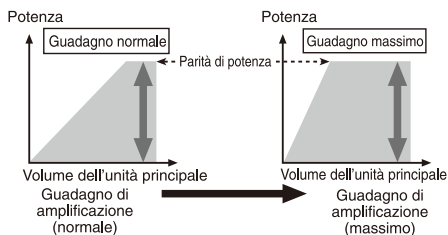
Livello di uscita al preamplificatore: 2 V (Standard: 500 mV)



Livello di uscita al preamplificatore: 4 V

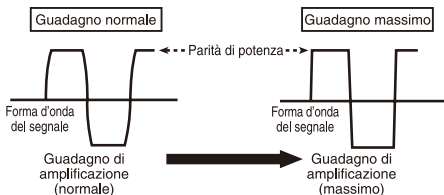
L'illustrazione in alto mostra l'impostazione **NORMAL** del guadagno.

Relazione tra il guadagno dell'amplificatore e la potenza di uscita dell'unità principale



Se il guadagno dell'amplificatore viene regolato su un livello eccessivo, si aumenterà la distorsione, non la potenza.

Forma d'onda del segnale con volume di uscita eccessivo e comando del guadagno dell'amplificatore

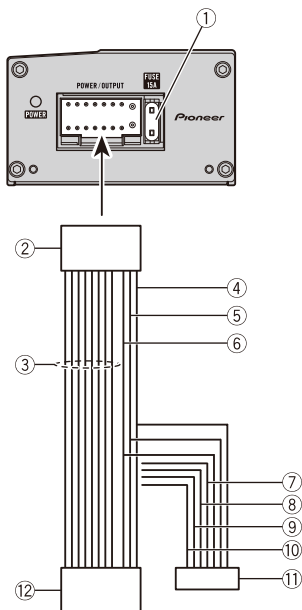


Se la forma d'onda del segnale è distorta a causa del livello di uscita eccessivo, anche se si aumenta il guadagno dell'amplificatore, la potenza in uscita non cambierà significativamente. ■

Collegamento del cavo di alimentazione e degli altoparlanti

⚠ ATTENZIONE

Connettere il cavo giallo al terminale collegato alla scatola dei fusibili.



- ① Fusibile 15 A × 1
- ② All'ingresso del cavo di alimentazione
- ③ Cavo degli altoparlanti
 - Bianco: Anteriore sinistro ⊕
 - Bianco/nero: Anteriore sinistro ⊖
 - Grigio: Anteriore destro ⊕
 - Grigio/nero: Anteriore destro ⊖
 - Verde: Posteriore sinistro ⊕
 - Verde/nero: Posteriore sinistro ⊖
 - Viola: Posteriore destro ⊕
 - Viola/nero: Posteriore destro ⊖
- ④ Nero (messa a terra telaio)

- ⑤ Giallo
 - Collegare al terminale di alimentazione costante 12 V.
- ⑥ Blu/bianco
 - Collegare al terminale di controllo del sistema car stereo.
- ⑦ Rosso
 - Collegare al terminale controllato dall'interruttore di accensione (12 V di c.c.)
- ⑧ Arancione/bianco
 - Collegare al terminale dell'interruttore di illuminazione.
- ⑨ Giallo/nero
 - Se si utilizza un apparecchio dotato di funzione di silenziamento, collegare questo cavo al cavo di silenziamento audio di tale apparecchio. In caso contrario, non collegare il cavo di silenziamento audio.
- ⑩ Rosa
 - Collegare all'ingresso del segnale della velocità del veicolo.
- ⑪ Connettore ISO (alimentazione)
 - Collegare al terminale di alimentazione del car stereo.
- ⑫ Connettore ISO (altoparlanti)
 - Collegare al terminale degli altoparlanti del car stereo. ▣


Prima di collegare l'amplificatore

⚠ AVVERTENZA


- Assicurare i cavi con morsetti per cavi o nastro adesivo. Per proteggere il cablaggio, avvolgere il nastro adesivo intorno al cablaggio nei punti in cui esso si trova a contatto con parti metalliche.
- Non tagliare mai l'isolante della sorgente di alimentazione per collegare l'alimentazione ad altri apparecchi. La capacità di carico di corrente del cavo è limitata.

Collegamento delle unità

ATTENZIONE

- Non cortocircuitare mai i cavi, altrimenti il circuito di protezione potrebbe non funzionare correttamente.
- Non collegare mai direttamente a terra il cavo negativo dell'altoparlante.
- Non legare mai assieme più cavi negativi degli altoparlanti.
- Se il cavo del telecomando di sistema dell'amplificatore viene collegato al terminale di alimentazione tramite l'interruttore della chiave di avviamento (12 V c.c.), l'amplificatore rimarrà sempre acceso quando l'interruttore della chiave di avviamento è attivato, indipendentemente da se il car stereo è acceso o spento. Pertanto la batteria potrebbe scaricarsi se il motore del veicolo rimane a lungo al minimo o con la marcia in folle.
- Installare e instradare il cavo di alimentazione, il cavo di messa a terra, i cavi degli altoparlanti e l'amplificatore quanto più lontano possibile dall'antenna, dal cavo dell'antenna e dal sintonizzatore. 

Punto di attacco/distacco dei connettori

- Spingere all'interno il connettore fino allo scatto, quindi collegarlo saldamente.
- Quando si rimuove il connettore, afferrare una parte del connettore e tirare. Se si tira il cavo, il cavo potrebbe distaccarsi dal connettore. 

Informazioni sulle specifiche compatibili degli altoparlanti

Assicurarsi che gli altoparlanti siano conformi ai seguenti standard, altrimenti sussisterà il rischio di incendi, emissione di fumo o danni. L'impedenza degli altoparlanti deve essere compresa tra 2 Ω e 8 Ω , oppure tra 4 Ω e 8 Ω per i collegamenti a due canali e gli altri collegamenti a ponte.

Subwoofer

Canale altoparlante	Potenza
Uscita a quattro canali	Ingresso nominale: 45 W min.
Uscita a due canali	Ingresso nominale: 90 W min.
Uscita a tre canali altoparlanti anteriori	Ingresso nominale: 45 W min.
Uscita a tre canali altoparlanti posteriori	Ingresso nominale: 90 W min.

Altoparlanti diversi dal subwoofer

Canale altoparlante	Potenza
Uscita a quattro canali	Ingresso massimo: 100 W min.
Uscita a due canali	Ingresso massimo: 200 W min.
Uscita a tre canali altoparlanti anteriori	Ingresso massimo: 100 W min.
Uscita a tre canali altoparlanti posteriori	Ingresso massimo: 200 W min.



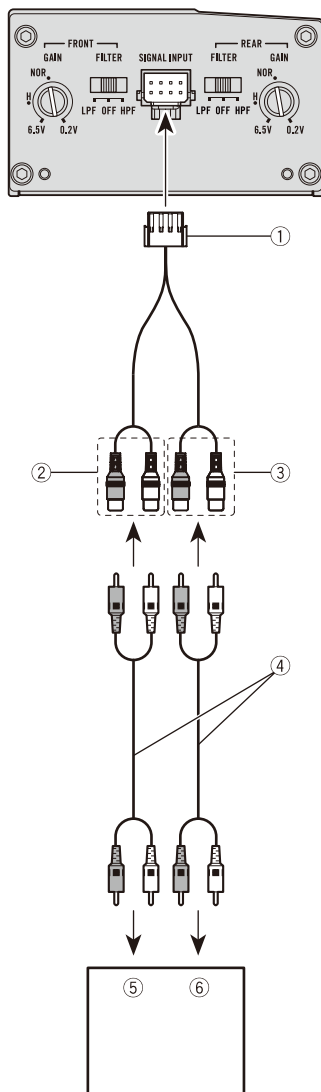
Collegamenti utilizzando un connettore di ingresso RCA

Collegare il connettore di uscita RCA del car stereo e il connettore di ingresso RCA dell'amplificatore.

- Non collegare gli altoparlanti all'uscita altoparlanti del car stereo quando si utilizza un connettore di ingresso RCA.

Se si collegano gli altoparlanti al car stereo, è necessario erogare direttamente l'alimentazione da una batteria, altrimenti il consumo di corrente aumenterebbe eccessivamente.

Ingresso a quattro canali / a tre canali

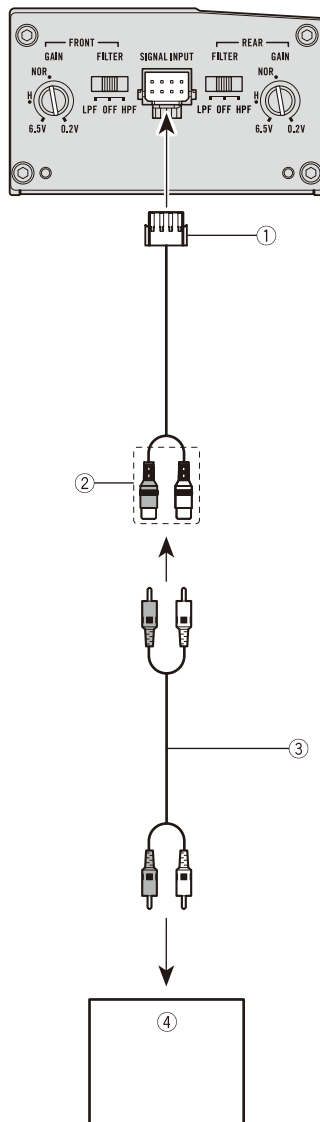


- ① Cavo di ingresso RCA a 4 ch
Al terminale di ingresso segnale di questa unità.
- ② Ingresso anteriore RCA

Collegamento delle unità

- ③ Ingresso posteriore RCA
- ④ Cavi RCA (venduti a parte)
- ⑤ Car stereo con connettori di uscita anteriori RCA
- ⑥ Car stereo con connettori di uscita posteriori RCA

Ingresso a due canali (stereo) / (mono)

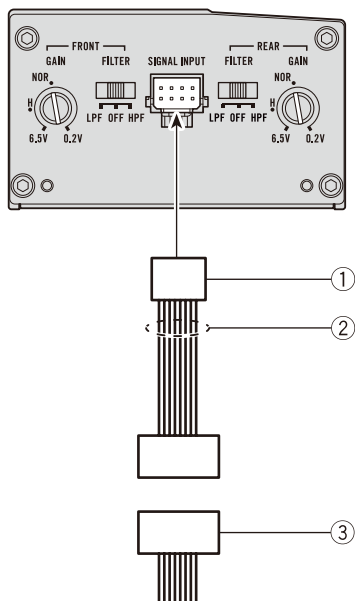


- ① Cavo di ingresso RCA a 2 ch
Al terminale di ingresso segnale di questa
unità.

- ② Ingresso RCA
- ③ Cavi RCA (venduti a parte)
- ④ Car stereo con connettori di uscita RCA

Collegamenti utilizzando un cavo di ingresso altoparlanti

Collegare i cavi di uscita degli altoparlanti del sistema car stereo all'amplificatore utilizzando il cavo d'ingresso SP fornito.



- ① Cavo di ingresso SP
Al terminale di ingresso segnale di questa unità.

- ② Cavo degli altoparlanti
 - Bianco/nero: SP anteriore, ⊖ sinistro
 - Bianco: SP anteriore, ⊕ sinistro
 - Grigio/nero: SP anteriore, ⊖ destro
 - Grigio: SP anteriore, ⊕ destro
 - Verde/nero: SP posteriore, ⊖ sinistro
 - Verde: SP posteriore, ⊕ sinistro
 - Viola/nero: SP posteriore, ⊖ destro
 - Viola: SP posteriore, ⊕ destro
- ③ Connettore ISO

Nota

Se a questo amplificatore vengono collegati cavi di ingresso degli altoparlanti da un'unità principale, l'amplificatore si accenderà o spegnerà automaticamente quando l'unità principale viene accesa o spenta. Quando l'unità principale viene spenta, l'amplificatore si spegnerà automaticamente. Questa funzione potrebbe non funzionare con alcune unità principali. In questi casi, accertarsi che il canale sinistro anteriore sia collegato correttamente. Se il problema persiste, utilizzare un cavo del telecomando di sistema. Se vengono collegati contemporaneamente più amplificatori in sincronia, collegare l'unità principale e tutti gli amplificatori utilizzando il cavo del telecomando di sistema.

Installazione

Prima di installare l'amplificatore



AVVERTENZA


- Per assicurare un'installazione corretta, utilizzare i componenti forniti nel modo indicato. Se vengono utilizzati componenti diversi da quelli forniti, le parti interne dell'amplificatore potrebbero subire danni, o allentarsi, provocando lo spegnimento dell'amplificatore.
- Non eseguire l'installazione in:
 - Posizioni in cui l'unità potrebbe ferire il conducente o i passeggeri se il veicolo frena improvvisamente.
 - Posizioni che potrebbero interferire con la guida, come il pianale di fronte al sedile del conducente.
- Installare le viti autofilettanti in modo tale che le estremità delle viti non entrino a contatto con alcun cavo. Questa precauzione è importante per impedire che i cavi vengano tagliati dall' vibrazione del veicolo, con conseguente pericolo di incendio.
- Accertarsi che i cavi non si impiglino nel meccanismo di scorrimento dei sedili o tocchino le game dei passeggeri del veicolo, provocando cortocircuiti.
- Quando si praticano fori per installare l'amplificatore, verificare sempre che dietro il pannello non si trovi alcun componente. Proteggere tutti i cavi e gli organi importanti (ad esempio, linee del carburante o dei freni, cavi).



ATTENZIONE

- Per assicurare la corretta dissipazione del calore dall'amplificatore, osservare quanto segue durante l'installazione:
 - Riservare uno spazio adeguato per la corretta ventilazione al di sopra dell'amplificatore.
 - Non coprire l'amplificatore con tappetini di alcun tipo.
- La funzione di protezione potrebbe attivarsi per proteggere l'amplificatore da surriscaldamento dovuto all'installazione in posizioni in cui non è possibile disperdere sufficientemen-

te il calore, da uso continuo con volume eccessivo, ecc. In questi casi, l'amplificatore riduce la potenza in uscita o rimane spento fino a quando non si raffredda e raggiunge una temperatura prestabilita.

- Non posizionare i cavi in luoghi soggetti a surriscaldamento, come le bocchette dell'impianto di riscaldamento.
- La posizione di installazione ottimale varia a seconda del modello del veicolo. Fissare l'amplificatore in una posizione sufficientemente rigida.
- Controllare tutti i collegamenti e i sistemi prima dell'installazione finale.
- Dopo aver installato l'amplificatore, verificare che la ruota di scorta, il martinetto e gli attrezzi siano agevolmente accessibili. 

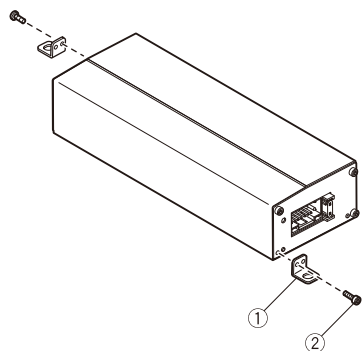
Esempio di installazione sul pianale o sul telaio

1 Posizionare l'amplificatore nella posizione di installazione desiderata.

Inserire le viti autofilettanti fornite (4 mm × 18 mm) negli appositi fori con un cacciavite in modo che lascino una traccia nella posizione in cui dovranno essere praticati i fori.

2 Rimuovere ciascuna vite a sinistra e a destra in linea diagonale dal lato inferiore di questa unità.

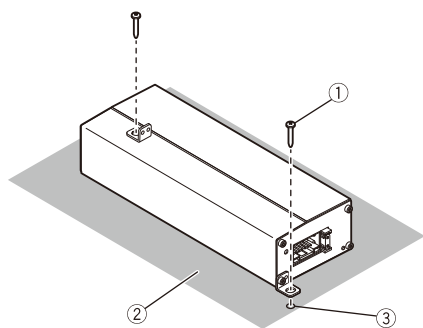
3 Fissare la staffa utilizzando le viti precedentemente rimosse.



- ① Staffa
- ② Vite

4 Praticare fori del diametro di 2,5 mm sulle tracce lasciate dalle viti sulla tappezzeria o direttamente sul telaio.

5 Installare l'amplificatore utilizzando le viti autofilettanti fornite (4 mm × 18 mm).



- ① Viti autofilettanti (4 mm × 18 mm)
- ② Tappezzeria o telaio
- ③ Praticare un foro di 2,5 mm di diametro

Note

- Non installare i cavi in una posizione in cui possano toccare le gambe degli occupanti del veicolo, altrimenti potrebbero verificarsi disconnessioni o cortocircuiti.
- Non installare l'amplificatore in una posizione che possa essere soggetta a cadute di gocce d'acqua. ■

Informazioni supplementari

Dati tecnici


Alimentazione	14,4 V di c.c. (variazioni consentite da 10,5 V a 16,0 V)
Messa a terra	Negativa
Consumo	15 A (con potenza continua, 4 Ω)
Consumo di corrente medio	1,6 A (4 Ω per quattro canali)
	1,6 A (2 Ω per quattro canali)
Fusibile	15 A
Dimensioni (L x A x P)	181 mm x 38 mm x 64 mm
Peso	0,58 kg (cavi non inclusi)
Potenza massima prodotta	100 W x 4 (a 14,4 V, 4 Ω)
Potenza d'uscita continua	45 W x 4 (a 14,4 V, 4 Ω , da 20 Hz a 20 kHz \leq 1% THD)
	45 W x 4 (a 14,4 V, 2 Ω , 1 kHz, \leq 1% THD)
Impedenza di carico	4 Ω (variazioni consentite da 2 Ω a 8 Ω)
Risposta in frequenza	da 10 Hz a 40 kHz (+0 dB, -3 dB)
Rapporto segnale/rumore ...	93 dB (rete IEC-A)
Distorsione	0,05 % (4 W, 1 kHz)
Filtro passa basso:	
Frequenza di taglio	80 Hz
Pendenza di taglio	-12 dB per ottava
Filtro passa alto:	
Frequenza di taglio	80 Hz
Pendenza di taglio	-12 dB per ottava
Comando guadagno:	
RCA	da 200 mV a 6,5 V
Altoparlante	da 0,8 V a 16 V
Livello di ingresso massimo / impedenza:	
RCA	6,5 V / 22 k Ω
Altoparlante	16 V / 22 k Ω

Per ascoltare la musica con la qualità del suono Hi-Res, è consigliabile utilizzare componenti conformi alla High-Resolution Audio Standard della Japan Audio Society.



Il prodotto con questo logo è conforme allo standard Audio ad alta risoluzione definito da Japan Audio Society. Questo logo è usato sotto licenza di Japan Audio Society.

Note

- Caratteristiche tecniche e design sono soggetti a eventuali modifiche senza preavviso.
- Il consumo di corrente medio è uguale circa al consumo di corrente da questa unità quando viene ricevuto un segnale audio. Utilizzare questo valore per il calcolo del consumo di corrente totale con più amplificatori di potenza. 

Gracias por haber adquirido este producto PIONEER

Lea con detenimiento este manual antes de utilizar el producto por primera vez para que pueda darle el mejor uso posible. Es muy importante que lea y cumpla con la información que aparece bajo los mensajes de **ADVERTENCIA** y **PRECAUCIÓN** de este manual. *Una vez leído, guarde el manual en un lugar seguro y a mano para poder consultarlo en el futuro.*



Si desea deshacerse de este producto, no lo mezcle con los residuos generales de su hogar. De conformidad con la legislación vigente, existe un sistema de recogida distinto para los productos electrónicos que requieren un procedimiento adecuado de tratamiento, recuperación y reciclado.

Las viviendas privadas en los estados miembros de la UE, en Suiza y Noruega pueden devolver gratuitamente sus productos electrónicos usados en los centros de recolección previstos o bien en una tienda minorista (si adquieren un producto similar nuevo). En el caso de los países que no se han mencionado en el párrafo anterior, póngase en contacto con las autoridades locales a fin de conocer el método de eliminación correcto. Al actuar siguiendo estas instrucciones, se asegurará de que el producto eliminado se someta a los procesos de tratamiento, recuperación y reciclaje necesarios, evitando de este modo efectos potencialmente negativos en el entorno y la salud humana. ▣

Visite nuestro sitio Web

Visítenos en la siguiente dirección:

<https://www.pioneer-car.eu/eur>

- Registre su producto. Los datos de su compra permanecerán archivados para que pueda consultar esta información en caso de reclamar a la compañía de seguros por pérdida o robo.
- En nuestro sitio Web ofrecemos la información más reciente acerca de PIONEER CORPORATION. ▣

En caso de problemas con el dispositivo

En caso de que este producto no funcione correctamente, contacte con su distribuidor o con el servicio técnico oficial Pioneer más próximo a su domicilio. ▣

Antes de conectar/installar el amplificador



ADVERTENCIA

- Esta unidad es para vehículos con una batería de 12 V y conexión a tierra negativa. Antes de instalarla en una caravana, un camión o un autobús, compruebe el voltaje de la batería.
- Si el fusible del vehículo que suministra la energía a esta unidad es inferior a 15 A, suministre la energía directamente a esta unidad desde una batería.

Además, no conecte el altavoz al equipo estéreo del vehículo para la salida de los altavoces mientras utiliza esta unidad.


Si se conecta el altavoz al equipo estéreo del vehículo, como el consumo de corriente del sistema completo se vuelve excesivo, la alimentación deberá suministrarse directamente desde una batería de vehículo.

Antes de comenzar

- Siempre conecte primero el cable a tierra cuando instale esta unidad. Dicho cable debe estar conectado adecuadamente a las partes metálicas de la carrocería del automóvil. El cable a tierra del amplificador de esta unidad debe conectarse al automóvil por separado usando tornillos diferentes. Si el tornillo para el cable a tierra se afloja o se cae, puede provocar incendios, humo o averías.
- Utilice siempre un fusible de la corriente nominal indicada. El uso de un fusible inadecuado podría provocar sobrecalentamiento y humo, daños personales y materiales, lesiones e incluso quemaduras.
- Compruebe las conexiones de la fuente de alimentación y los altavoces si se funde el fusible del amplificador. Determine y solucione el problema y después reemplace el fusible por otro de características idénticas.
- El amplificador debe instalarse en una superficie plana. Instalarlo en una superficie que no sea plana o con protuberancias puede resultar en un funcionamiento defectuoso.
- Cuando instale el amplificador, no deje que ninguna pieza o tornillo extra quede atrapada entre el amplificador y el automóvil. De lo contrario, puede producirse un fallo en su funcionamiento.
- No permita que esta unidad entre en contacto con líquidos, ya que puede producir una descarga eléctrica. Además, el contacto con líquidos puede causar daños en la unidad, humo y recalentamiento.
Las superficies del amplificador y cualquier altavoz acoplado pueden calentarse y ocasionar quemaduras.
- Ante cualquier anomalía, la fuente de alimentación del amplificador se desconecta para evitar averías en el equipo. Si esto ocurre, desconecte el sistema y compruebe las conexiones de la fuente de alimentación y del altavoz. Si no consigue determinar el problema, contacte con su distribuidor.
- Desconecte siempre primero el terminal negativo \ominus de la batería para evitar riesgos de descarga eléctrica o un cortocircuito durante la instalación.


- No intente desarmar ni modificar esta unidad, de lo contrario, podría provocar un incendio, una descarga eléctrica u otros fallos en el funcionamiento.

PRECAUCIÓN

- Mantenga siempre el volumen lo suficientemente bajo como para poder escuchar los sonidos que provienen del exterior.
- El uso prolongado del estéreo del vehículo mientras el motor permanece inactivo o en marcha al ralentí puede agotar la batería.
- Este producto se ha evaluado bajo condiciones moderadas y tropicales de acuerdo con los Requisitos de seguridad, IEC 62368, para dispositivos de audio, vídeo y dispositivos electrónicos similares.
- El símbolo gráfico  colocado en el producto significa corriente continua.

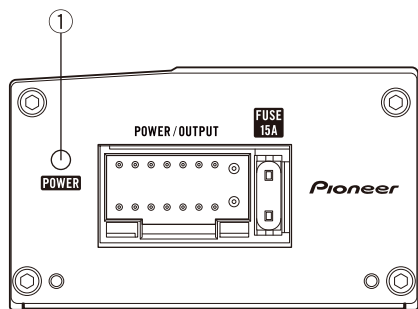
Acerca de la función de protección

Este producto incluye una función de protección. Si el producto detecta alguna anomalía, se activarán las siguientes funciones para proteger el producto y la salida de los altavoces.

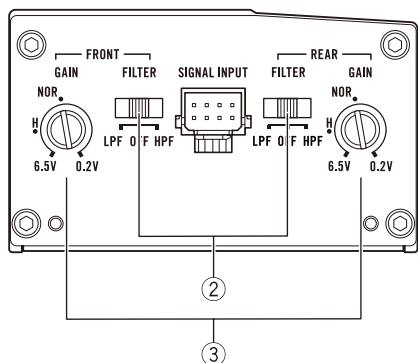
- El indicador de encendido se desconectará y el amplificador se apagará en las situaciones indicadas a continuación.
 - En caso de que la temperatura en el interior del producto se vuelva excesiva.
 - Si se encuentran cortocircuitados el terminal de salida del altavoz y el cable del altavoz.
 - Si se aplica un voltaje CC al terminal de salida del altavoz.
 - En caso de que el voltaje de la batería se encuentre fuera del rango de uso.
- El amplificador reducirá la potencia de salida si aumenta la temperatura en el interior del amplificador. Si la temperatura aumenta demasiado, se desconectará el indicador de encendido y se apagará el amplificador. 

Qué es cada cosa

Lado derecho



Lado izquierdo



Para ajustar el interruptor, si es preciso utilice un destornillador de cabeza plana.

① Indicador de encendido

El indicador de encendido se ilumina para indicar que está activado (ON).

② Interruptor de selección de LPF (filtro de paso bajo)/HPF (filtro de paso alto)

Cambia los ajustes según el altavoz conectado.

- Cuando el altavoz de subgraves esté conectado:
Seleccione **LPF**. Esta opción elimina las frecuencias altas y reproduce las bajas.

- Cuando el altavoz de toda la gama esté conectado:
Seleccione **HPF** o **OFF**. **HPF** elimina las frecuencias bajas y reproduce las altas. **OFF** reproduce la gama completa de frecuencias.
- Conmute los interruptores de selección **LPF/HPF** tras haber bajado el volumen de la unidad principal.

③ Control de GAIN (ganancia)

Mediante el ajuste de los controles de ganancia **canal DELANTERA** y **canal TRASERA** se puede regular la salida de estéreo del vehículo al amplificador Pioneer. La posición predefinida es **NORMAL**. Si la salida sigue siendo baja, incluso al subir el volumen del estéreo del vehículo, posicione los controles en un nivel más bajo. Si se escucha cierta distorsión al subir el volumen del vehículo, posicione estos controles en un nivel superior.

- Cuando utilice una conexión en puente, ajuste el control de ganancia de los altavoces delanteros y traseros al mismo nivel.
- Para el uso con un estéreo de vehículo provisto de RCA (salida estándar de 500 mV), posicione en **NORMAL**. Para el uso con un estéreo de vehículo Pioneer provisto de RCA, con una salida máxima de 4 V o superior, ajuste el nivel para que coincida con la salida de estéreo del vehículo.
- Para el uso con un estéreo de vehículo provisto de RCA con salida de 4 V, posicione en **H**.

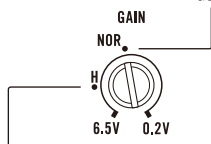
Configuración de la unidad

Configuración correcta de la ganancia

- Función de protección incluida para evitar posibles fallos en la unidad y/o altavoces debido a una salida excesiva, al uso indebido o a una conexión inadecuada.
- Al reproducir sonidos demasiado altos, etc., esta función interrumpe la reproducción durante unos segundos como una función normal, y retoma la reproducción cuando se baja el volumen de la unidad principal.
- Una interrupción en la salida del sonido puede indicar un ajuste incorrecto del control de ganancia. Para garantizar una reproducción continua cuando el volumen de la unidad es alto, configure el control de ganancia del amplificador en un nivel adecuado para el nivel de salida máxima del preamplificador (pre-out), de manera que el volumen permanezca sin cambios y le permita controlar la salida excesiva.
- Una vez corregido el volumen y los ajustes de ganancia, el sonido de la unidad aún se interrumpe cada cierto tiempo. De presentarse esta situación, contacte con el servicio técnico oficial Pioneer más cercano a su domicilio.

Control de ganancia de esta unidad

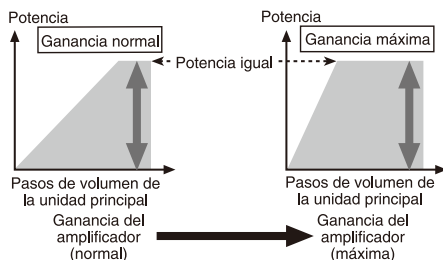
Nivel de salida del preamplificador: 2 V (estándar: 500 mV)



Nivel de salida del preamplificador: 4 V

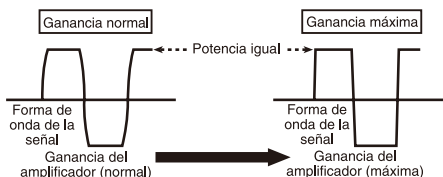
La imagen anterior muestra un ajuste de ganancia **NORMAL**.

Relación entre ganancia del amplificador y corriente de salida de la unidad principal



Si la ganancia del amplificador se aumenta incorrectamente, sólo incrementará la distorsión, con un ligero aumento de la potencia.

Forma de onda de la señal en la reproducción con el volumen alto utilizando el control de ganancia del amplificador

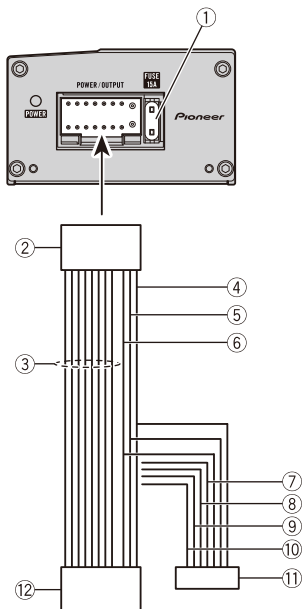


Si la forma de onda de la señal se distorsiona debido a una salida demasiado alta, incluso si se aumenta la ganancia del amplificador, la potencia de salida solo se modificará ligeramente. ■

Conexión del cable de alimentación y del altavoz

⚠ PRECAUCIÓN

Conecte el cable amarillo al terminal conectado a la unidad de fusible del vehículo.



- ① Fusible 15 A × 1
- ② A la toma del cable de alimentación
- ③ Cable de los altavoces
 - Blanco: Delantero izquierdo ⊕
 - Blanco/negro: Delantero izquierdo ⊖
 - Gris: Delantero derecho ⊕
 - Gris/negro: Delantero derecho ⊖
 - Verde: Trasero izquierdo ⊕
 - Verde/negro: Trasero izquierdo ⊖
 - Violeta: Trasero derecho ⊕
 - Violeta/negro: Trasero derecho ⊖
- ④ Negro (Toma de tierra del chasis)
- ⑤ Amarillo
 - Conectar al terminal de alimentación constante de 12 V.

- ⑥ Azul/blanco
 - Conectar al terminal de control del sistema del equipo estéreo del vehículo.
- ⑦ Rojo
 - Conectar al terminal controlado por la llave de encendido (12 V cc).
- ⑧ Naranja/blanco
 - Conectar al terminal del interruptor de iluminación.
- ⑨ Amarillo/negro
 - Si utiliza un equipo con función de silenciamiento, conecte este cable con el cable de silenciamiento de audio de ese equipo. En caso contrario, mantenga el cable de silenciamiento de audio sin ninguna conexión.
- ⑩ Rosa
 - Conectar a la entrada de la señal de velocidad del vehículo.
- ⑪ Conector ISO (alimentación)
 - Conectar al terminal de la fuente de alimentación del equipo estéreo del vehículo.
- ⑫ Conector ISO (altavoz)
 - Conectar al terminal del altavoz del estéreo del vehículo. ▣


Antes de conectar el amplificador

⚠ ADVERTENCIA


- Asegure el cableado con pinzas para cables o cinta adhesiva. Para proteger el cableado, envuelva con cinta adhesiva las partes que estén en contacto con piezas metálicas.
- Nunca corte el aislamiento de la fuente de alimentación para suministrar energía otros equipos. La capacidad de corriente del cable es limitada.

Conexión de las unidades

PRECAUCIÓN

- Nunca acorte ningún cable, ya que el circuito de protección podría no funcionar correctamente.
- Nunca conecte el cable negativo de los altavoces directamente a tierra.
- Nunca empalme los cables negativos de varios altavoces.
- Si el cable de control a distancia del sistema del amplificador está conectado a un terminal de potencia a través de la llave de encendido (12 V cc), el amplificador permanecerá activo tanto si el estéreo del vehículo está apagado como encendido, lo que puede agotar la batería si el motor permanece inactivo o en marcha al ralentí.
- Instale y pase el cable de la alimentación junto con el cable de puesta a tierra, los cables del altavoz y el amplificador lo más lejos posible de la antena, del cable de la antena y del sintonizador. 

El punto del enchufe/desenchufe del conector

- Enchufe el conector hasta que oiga un clic y conéctelo debidamente.
- Cuando desenchufe el conector, sujételo por el cuerpo del conector y tire de él. Cuando se tira del cable, se puede arrancar el cable del conector. 

Acerca de una especificación adecuada del altavoz

Asegúrese de que los altavoces cumplen con los siguientes estándares; en caso contrario, existe riesgo de incendio, humo y otros daños. La impedancia del altavoz es de $2\ \Omega$ a $8\ \Omega$, o de $4\ \Omega$ a $8\ \Omega$ en las conexiones de dos canales y otras en puente.

Altavoz de subgraves

Canal del altavoz	Potencia
Salida de cuatro canales	Entrada nominal: Mín. 45 W
Salida de dos canales	Entrada nominal: Mín. 90 W
Salida de altavoz delantero de tres canales	Entrada nominal: Mín. 45 W
Salida de altavoz trasero de tres canales	Entrada nominal: Mín. 90 W

Aparte del altavoz de subgraves

Canal del altavoz	Potencia
Salida de cuatro canales	Entrada máx.: Mín. 100 W
Salida de dos canales	Entrada máx.: Mín. 200 W
Salida de altavoz delantero de tres canales	Entrada máx.: Mín. 100 W
Salida de altavoz trasero de tres canales	Entrada máx.: Mín. 200 W

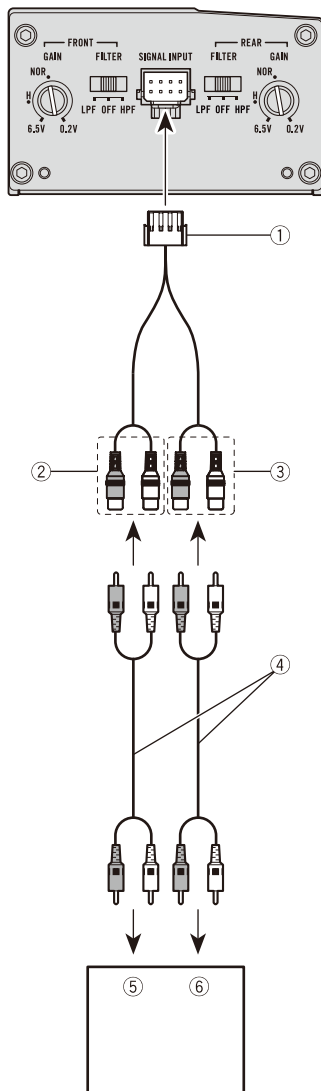


Conexiones al utilizar una toma de entrada RCA

Conecte la toma de salida RCA del estéreo del vehículo y la toma de entrada RCA del amplificador.

- No conecte el altavoz al equipo estéreo del vehículo para la salida de los altavoces mientras utiliza la toma de entrada RCA. Si se conecta el altavoz al equipo estéreo del vehículo, como el consumo de corriente del sistema completo se vuelve excesivo, la alimentación deberá suministrarse directamente desde una batería de vehículo.

Entrada de cuatro canales / tres canales

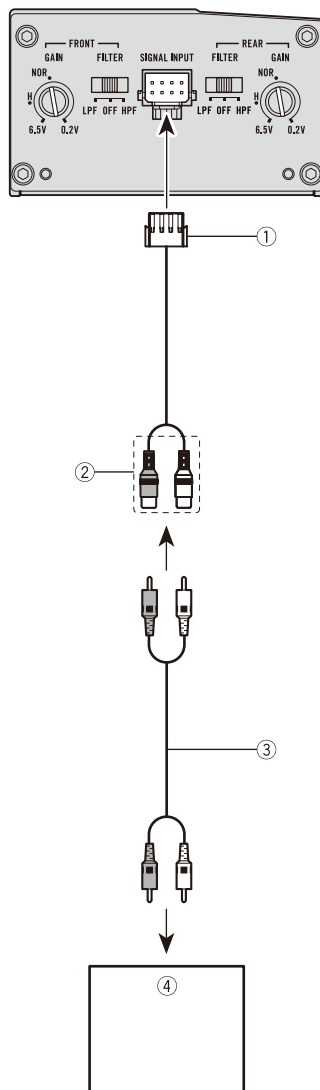


- ① Cable de entrada RCA de 4 ch
Al terminal de entrada de señal de esta unidad.
- ② Entrada delantera RCA

Conexión de las unidades

- ③ Entrada trasera RCA
- ④ Cables RCA (se venden por separado)
- ⑤ Equipo estéreo del vehículo con tomas de salida RCA delanteras
- ⑥ Equipo estéreo del vehículo con tomas de salida RCA traseras

Entrada de dos canales (estéreo) / (monoaural)

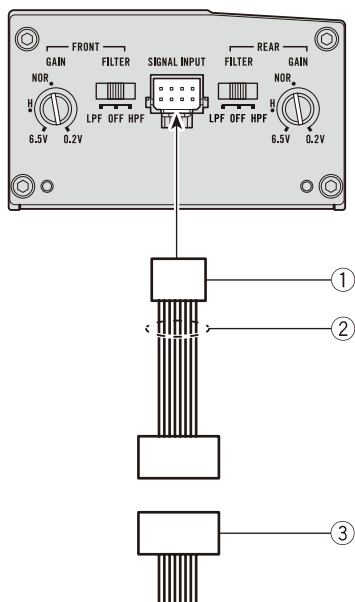


- ① Cable de entrada RCA de 2 ch
Al terminal de entrada de señal de esta unidad.

- ② Entrada RCA
- ③ Cables RCA (se venden por separado)
- ④ Equipo estéreo del vehículo con tomas de salida RCA

Conexiones al utilizar el cable de entrada del altavoz

Conecte los cables de salida de los altavoces del equipo estéreo del vehículo al amplificador mediante el cable de entrada suministrado del altavoz.



- ① Cable de entrada del altavoz
Al terminal de entrada de señal de esta unidad.

- ② Cable de los altavoces
 - Blanco/negro: Altavoz delantero, izquierdo ⊖
 - Blanco: Altavoz delantero, izquierdo ⊕
 - Gris/negro: Altavoz delantero, derecho ⊖
 - Gris: Altavoz delantero, derecho ⊕
 - Verde/negro: Altavoz trasero, izquierdo ⊖
 - Verde: Altavoz trasero, izquierdo ⊕
 - Violeta/negro: Altavoz trasero, derecho ⊖
 - Violeta: Altavoz trasero, derecho ⊕
- ③ Conector ISO

Nota

Si se conectan cables de entrada del altavoz desde una unidad principal a este amplificador, el amplificador se activará automáticamente al conectar la unidad principal. Cuando se desconecte la unidad principal, el amplificador se apagará automáticamente. Esta función puede no funcionar con algunas unidades principales. En tales casos, asegúrese de que el canal L delantero está conectado correctamente. Si sigue sin funcionar, utilice un cable de control a distancia del sistema. Si se conectan varios amplificadores a la vez, conecte la unidad principal y todos los amplificadores a través del cable de control a distancia del sistema.

Instalación

Antes de instalar el amplificador


ADVERTENCIA

- Para garantizar una instalación correcta, utilice las piezas facilitadas del modo indicado. El uso de otras piezas diferentes a las facilitadas, puede dañar las partes internas del amplificador o alojarse haciendo que éste se apague.
- No instalar en:
 - Lugares donde pueda lesionar al conductor o a los pasajeros en caso de detener el vehículo de repente.
 - Lugares donde pueda interferir con la conducción, como es la zona situada en frente del asiento del conductor.
- Coloque tornillos de rosca cortante de tal manera que el extremo del tornillo no toque ningún cable. Esto es muy importante para evitar que los cables terminen cortándose por la vibración del vehículo, lo que podría ocasionar un incendio.
- Asegúrese de que los cables no quedan atrapados en el mecanismo de deslizamiento de los asientos o toquen las piernas de los pasajeros en un vehículo ya que esto podría producir un cortocircuito.
- Cuando realice un agujero para instalar el amplificador, asegúrese siempre de que no haya ninguna pieza detrás del panel y proteja todos los cables y equipos importantes (p. ej. líneas de freno/combustible, cableado eléctrico) para evitar daños.

PRECAUCIÓN

- Para garantizar una disipación térmica adecuada del amplificador, asegúrese de lo siguiente durante la instalación:
 - Deje suficiente espacio sobre el amplificador para que la ventilación sea adecuada.
 - No cubra el amplificador con una alfombra o moqueta.
- La función de protección puede activarse para proteger el amplificador contra un sobrecalentamiento debido a la instalación en lugares donde no se puede disipar suficiente calor, el

uso continuo bajo condiciones de volumen alto, etc. En tales casos, el amplificador reduce la potencia de salida o se apaga hasta que se ha enfriado hasta alcanzar la temperatura designada.

- Coloque todos los cables alejados de lugares calientes, como cerca de la salida del calefactor.
- El lugar idóneo para la instalación difiere según el modelo del vehículo. Fije el amplificador a un lugar lo suficientemente rígido.
- Compruebe todas las conexiones y sistemas antes de la instalación final.
- Después de instalar el amplificador, confirme que la rueda de repuesto, las tomas y demás herramientas pueden retirarse fácilmente. 

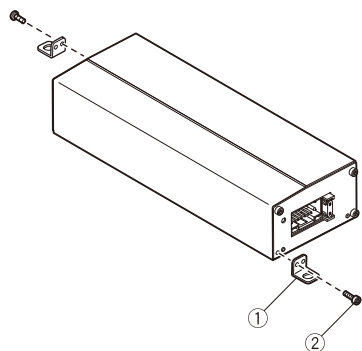
Ejemplo de instalación en la alfombra o chasis

1 Coloque el amplificador en el lugar de instalación deseado.

Inserte los tornillos de rosca cortante facilitados (4 mm x 18 mm) en los orificios correspondientes y apriételos con un destornillador de manera que dejen una marca donde se vayan a perforar los orificios de instalación.

2 Extraiga cada uno de los tornillos de la parte derecha e izquierda en una línea diagonal partiendo del lado inferior de esta unidad.

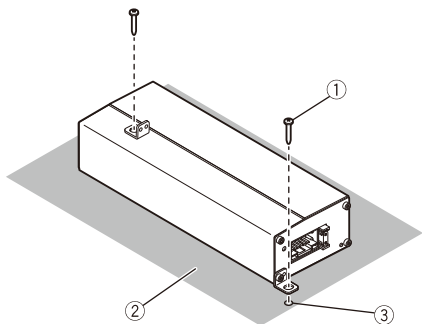
3 Fije el soporte utilizando los tornillos desmontados.



- ① Soporte
- ② Tornillo

4 Perfore agujeros de 2,5 mm de diámetro en las marcas, sobre la alfombra o directamente en el chasis.

5 Instale el amplificador utilizando los tornillos con rosca cortante facilitados (4 mm × 18 mm).



- ① Tornillos de rosca cortante (4 mm × 18 mm)
- ② Moqueta o chasis del automóvil
- ③ Perfore un agujero de 2,5 mm de diámetro

Notas

- No instale los cables en lugares en que puedan contactar con las piernas de una persona, ya que se puede producir una desconexión o un corto circuito.
- No instale el amplificador en un lugar donde pueda gotear agua. ■

Información adicional

Especificaciones

Fuente de alimentación	14,4 V cc (10,5 V a 16,0 V permisible)
Sistema de derivación a tierra	Tipo negativo
Consumo actual	15 A (a potencia continua, 4 Ω)
Consumo medio de corriente	1,6 A (4 Ω para cuatro canales)
	1,6 A (2 Ω para cuatro canales)
Fusible	15 A
Dimensiones (An \times Al \times Pr)	181 mm \times 38 mm \times 64 mm
Peso	0,58 kg (conectores para cableado no incluidos)
Potencia de salida máxima	100 W \times 4 (a 14,4 V, 4 Ω)
Potencia de salida continua	45 W \times 4 (a 14,4 V, 4 Ω , 20 Hz a 20 kHz \leq 1% THD)
	45 W \times 4 (a 14,4 V, 2 Ω , 1 kHz, \leq 1% THD)
Impedancia de carga	4 Ω (2 Ω a 8 Ω permisibles)
Respuesta de frecuencia	10 Hz a 40 kHz (+0 dB, -3 dB)
Relación de señal a ruido	93 dB (red IEC-A)
Distorsión	0,05% (4 W, 1 kHz)
Filtro de paso bajo:	
Frecuencia de corte	80 Hz
Pendiente de corte	-12 dB/oct
Filtro de paso alto:	
Frecuencia de corte	80 Hz
Pendiente de corte	-12 dB/oct
Control de ganancia:	
RCA	200 mV a 6,5 V
Altavoz	0,8 V a 16 V
Nivel de entrada máximo / impedancia:	
RCA	6,5 V / 22 k Ω
Altavoz	16 V / 22 k Ω

Para poder escuchar con calidad de sonido en Hi-Res, se recomienda que todos los componentes cumplan con el estándar de la Japan Audio Society



El producto con este logotipo se ajusta al estándar de audio en High-Resolution definido por Japan Audio Society. Este logo se usa bajo licencia de Japan Audio Society.

Notas

- Las especificaciones y el diseño están sujetos a modificaciones sin previo aviso.
- El consumo medio de corriente es casi el consumo de corriente máximo de esta unidad, cuando recibe una señal de audio. Utilice este valor cuando tenga que trabajar con la corriente total consumida por varios amplificadores de potencia. \square

Vielen Dank, dass Sie sich für dieses PIONEER-Produkt entschieden haben


Bitte lesen Sie diese Anleitung vor der Verwendung dieses Produkts zur Gewährleistung seiner ordnungsgemäßen Verwendung durch. Lesen und befolgen Sie dabei insbesondere die Hinweise **WARNUNG** und **VORSICHT**. *Bewahren Sie die Anleitung zur zukünftigen Bezugnahme sicher und griffbereit auf.*



Mischen Sie dieses Produkt, wenn Sie es entsorgen wollen, nicht mit gewöhnlichen Haushaltsabfällen. Es gibt ein getrenntes Sammelsystem für gebrauchte elektronische Produkte, über das die richtige Behandlung, Rückgewinnung und Wiederverwertung gemäß der bestehenden Gesetzgebung gewährleistet wird.


Privathaushalte in den Mitgliedstaaten der EU, in der Schweiz und in Norwegen können ihre gebrauchten elektronischen Produkte kostenfrei bei speziell dafür eingerichteten Sammelstellen abgeben oder zu einem Fachhändler zurückbringen (sofern sie ein vergleichbares neues Produkt kaufen).

In den Ländern, die hier nicht aufgeführt sind, wenden Sie sich hinsichtlich der zu beachtenden Entsorgungsweise bitte an die zuständige Gemeindeverwaltung.


Auf diese Weise stellen Sie sicher, dass das zu entsorgende Produkt der erforderlichen Verarbeitung, Rückgewinnung und Wiederverwertung zugeführt wird, und verhindern damit potenziell negative Auswirkungen auf die Umwelt sowie Gesundheitsschäden. 

Unsere Website

Besuchen Sie uns auf folgender Website: <https://www.pioneer-car.eu/eur>

- Registrieren Sie Ihr Produkt. Wir speichern die Detaildaten Ihres Produktkaufs in einer Datei, sodass wir Ihnen diese Informationen bei Verlust oder Diebstahl des Produkts jederzeit für Ihre Versicherung bereitstellen können.
- Auf unserer Website finden Sie die jeweils neuesten Informationen der PIONEER CORPORATION. 

Im Problemfall

Sollte dieses Produkt nicht ordnungsgemäß funktionieren, wenden Sie sich bitte an Ihren Händler oder an die nächstgelegene Pioneer-Kundendienststelle. 

Vor dem Anschluss bzw. der Installation des Verstärkers

WARNUNG

- Dieses Gerät wurde für den Einsatz in Fahrzeugen mit 12-V-Batterie und negativer Erdung konzipiert. Vor der Installation des Geräts in einem Wohnmobil, Lkw oder Bus muss die Batteriespannung überprüft werden.
- Wenn die Sicherung des Fahrzeugs, das dieses Gerät mit Strom versorgt, für weniger als 15 A ausgelegt ist, muss die Stromversorgung dieses Gerät direkt von einer Batterie erfolgen. Schließen Sie des Weiteren den Laufsprecher nicht zur Lautsprecherwiedergabe an die Kfz-Stereoanlage an, während Sie dieses Gerät verwenden.

Wenn der Lautsprecher an die Kfz-Stereoanlage angeschlossen ist, muss die Stromversorgung direkt von einer Kfz-Batterie erfolgen, da die Stromaufnahme des Gesamtsystems hoch wird.


Bevor Sie beginnen

- Stellen Sie beim Installieren dieses Geräts sicher, dass das Erdungskabel zuerst angeschlossen wird. Das Erdungskabel muss sicher mit metallenen Karosserieteilen verbunden werden. Das Erdungskabel dieses Geräts muss mit anderen Schrauben getrennt am Fahrzeug angeschlossen werden. Sollte sich die Schraube des Erdungskabels lockern oder herausfallen, kann dies einen Brand auslösen bzw. Rauch oder andere Fehlfunktionen verursachen.
- Verwenden Sie stets eine Sicherung, die den vorgegebenen Leistungsmerkmalen entspricht. Die Verwendung einer ungeeigneten Sicherung kann zu Überhitzung und Rauchbildung führen und eine Beschädigung des Produkts sowie Körperverletzung, u. a. Verbrennungen, zur Folge haben.
- Überprüfen Sie die Anschlüsse der Stromversorgung und Lautsprecher, falls die Verstärkersicherung durchbrennt. Identifizieren und beheben Sie die Ursache des Problems und tauschen Sie dann die Sicherung durch eine identische bzw. gleichwertige aus.
- Installieren Sie den Verstärker immer auf einer ebenen Fläche. Installieren Sie den Verstärker nicht auf einer gekrümmten Fläche oder einer Fläche mit Erhebungen. Andernfalls könnten Funktionsstörungen auftreten.
- Verhindern Sie beim Installieren des Verstärkers, dass Teile wie zum Beispiel lose Schrauben zwischen dem Verstärker und dem Fahrzeug eingeschlossen werden. Andernfalls könnten Funktionsstörungen auftreten.
- Dieses Gerät darf nicht mit Flüssigkeiten in Kontakt kommen. Dies könnte einen Stromschlag verursachen. Der Kontakt mit Flüssigkeiten kann darüber hinaus eine Beschädigung dieses Geräts, Rauchbildung und Überhitzung zur Folge haben. Zudem könnte sich die Oberfläche des Verstärkers und der angeschlossenen Lautsprecher erhitzen und dadurch leichte Verbrennungen verursachen.
- Bei Auftreten einer Funktionsstörung wird die Spannungsversorgung des Verstärkers unterbrochen, um eine Beeinträchtigung des Gerätebetriebs zu verhindern. Schalten Sie in diesem Fall das System aus und überprüfen Sie die Anschlüsse der Spannungsversorgung und der Lautsprecher. Wenden Sie sich an

Ihren Händler, falls Sie die Fehlerursache nicht identifizieren können.


- Trennen Sie stets zuerst die Verbindung des negativen Pols \ominus der Batterie, um jede Gefahr eines elektrischen Schlags oder eines Kurzschlusses während der Installation zu vermeiden.
- Versuchen Sie nicht, dieses Gerät in seine Einzelteile zu zerlegen oder zu verändern, da dies zu Brand, Stromschlag oder anderen Störungen führen kann.

VORSICHT

- Wählen Sie stets eine Lautstärke, bei der Sie Umgebungsgeräusche noch deutlich wahrnehmen können.
- Die längere Verwendung der Kfz-Stereoanlage bei ausgeschaltetem oder im Leerlauf befindlichen Motor kann zur Entleerung der Fahrzeugbatterie führen.
- Dieses Produkt wurde unter moderaten und tropischen Klimabedingungen entsprechend der Sicherheitsbestimmungen, IEC 62368, für Audio-, Video- und ähnliche Elektrogeräte getestet.
- Das am Produkt angebrachte grafische Symbol  bedeutet Gleichstrom.

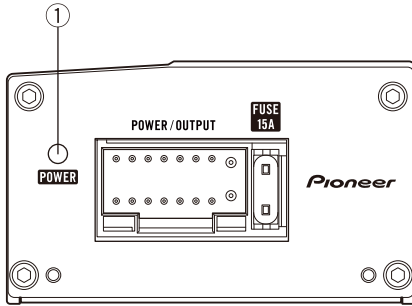
Zur Schutzfunktion

Dieses Produkt verfügt über eine Schutzfunktion. Wenn dieses Produkt einen anormalen Zustand erkennt, werden die folgenden Funktionen ausgelöst, um das Produkt und den Lautsprecherausgang zu schützen.

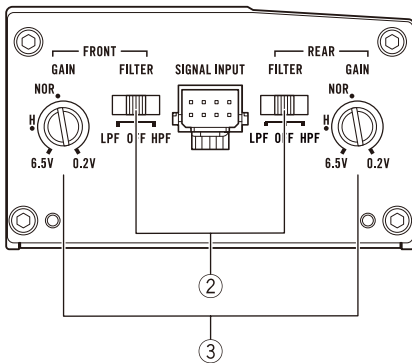
- Die Betriebsanzeige erlischt und der Verstärker schaltet sich unter den nachfolgend beschriebenen Bedingungen aus.
 - Wenn die Temperatur im Inneren des Produkts hoch wird.
 - Wenn sich die Lautsprecherausgangsklemme und das Lautsprecherkabel kurzschließen.
 - Wenn an die Lautsprecherausgangsklemme eine Gleichspannung angelegt wird.
 - Wenn die Batteriespannung außerhalb des Betriebsbereichs liegt.
- Wenn sich die Temperatur im Inneren des Verstärkers erhöht, reduziert er seine Ausgangsleistung. Wird die Temperatur zu hoch, erlischt die Betriebsanzeige und der Verstärker schaltet sich aus. 

Die einzelnen Teile

Rechte Seite



Linke Seite



Für die Einstellung des Schalters ist ggf. ein Flachkopfschraubendreher zu verwenden.

① Betriebsanzeige

Die Betriebsanzeige leuchtet bei eingeschalteter Stromzufuhr.

② LPF/HPF-Auswahlschalter (Tiefpassfilter/Hochpassfilter)

Schalten Sie die Einstellungen je nach angeschlossenem Lautsprecher um.

- Wenn ein Subwoofer angeschlossen ist: Wählen Sie **LPF**. Dadurch wird die Hochtonausgabe verhindert und es werden nur Basstöne ausgegeben.

- Wenn ein Vollbereichslautsprecher angeschlossen ist: Wählen Sie **HPF** oder **OFF**. Mit **HPF** wird die Basstonausgabe verhindert und es werden nur hohe Töne ausgegeben. **OFF** resultiert in der Ausgabe des gesamten Tonfrequenzbereichs.
- Bedienen Sie die **LPF/HPF**-Wahlschalter nachdem Sie die Lautstärke des Hauptgeräts verringert haben.

③ GAIN-Steuerung (Verstärkung)

Das Einstellen der Verstärkungsregler **Frontkanal und Hinteren Kanal** dient zum Anpassen des Stereoausgangssignals an den Pioneer-Verstärker. Standardeinstellung ist die Position **NORMAL**.

Wenn der Ausgabepegel niedrig bleibt, auch wenn der Lautstärkepegel der Kfz-Stereoanlage erhöht wird, dann stellen Sie die Steuerungen auf einen niedrigeren Pegel ein. Sollten bei einer Erhöhung der Lautstärke der Kfz-Stereoanlage Klangverzerrungen auftreten, dann setzen Sie die Steuerungen auf einen höheren Pegel.

- Wird der Verstärker gebrückt genutzt, stellen Sie bitte die Pegelregler der vorderen und hinteren Kanäle auf den gleichen Pegel ein.
- Bei einer Kfz-Stereoanlage mit Cinch-Anschluss (Standardausgabe 500 mV) ist die Position **NORMAL** zu wählen. Wenn Sie eine Kfz-Stereoanlage von Pioneer mit Cinch-Anschluss verwenden, die eine max. Ausgabe von 4 V oder höher aufweist, dann passen Sie den Pegel an die Ausgabe der Kfz-Stereoanlage an.
- Bei einer Kfz-Stereoanlage mit Cinch-Anschluss mit einer Ausgabe von 4 V ist die Position **H** zu wählen. ▣

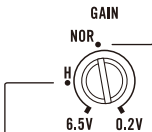
Einstellen des Geräts

Bedarfsgerechtes Einstellen der Verstärkung

- Die integrierte Schutzfunktion verhindert eine Betriebsstörung des Geräts und/oder der Lautsprecher aufgrund eines zu hohen Ausgabepiegels, einer unsachgemäßen Verwendung oder nicht ordnungsgemäßer Anschlüsse.
- Bei der Ausgabe eines zu hohen Lautstärkepegels unterbricht die Funktion die Ausgabe für ein paar Sekunden. Das ist vollkommen normal. Die Ausgabe wird fortgesetzt, sobald der Lautstärkepegel des Hauptgeräts reduziert wird.
- Eine Unterbrechung der Tonausgabe kann auf eine ungeeignete Einstellung der Verstärkungsregler hinweisen. Zur Gewährleistung einer kontinuierlichen Tonausgabe bei hohem Lautstärkepegel des Hauptgeräts stellen Sie die Verstärkungsreglung des Verstärkers auf einen geeigneten Pegel für den maximalen Preout-Ausgabepiegel des Hauptgeräts ein, sodass die Lautstärke beibehalten werden und ein zu hoher Ausgabepiegel kontrolliert werden kann.
- Trotz richtiger Lautstärke- und Verstärkungseinstellungen kommt es regelmäßig zu Unterbrechungen der Tonausgabe des Geräts. In diesem Fall sollten Sie sich an eine autorisierte Pioneer-Kundendienststelle in Ihrer Nähe wenden.

Verstärkungsreglung für dieses Gerät

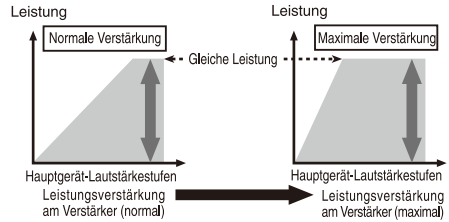
Preout-Pegel: 2 V (Standard: 500 mV)



Preout-Pegel: 4 V

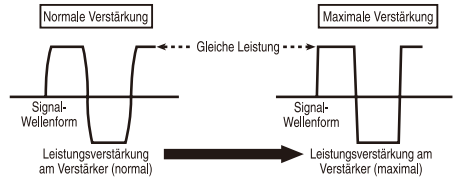
Die obige Abbildung zeigt die Verstärkungseinstellung **NORMAL**.

Beziehung zwischen der Verstärkung durch den Verstärker und der Ausgangsleistung des Hauptgeräts



Das unsachgemäße Erhöhen der Verstärkung durch den Verstärker resultiert einfach in mehr Verzerrungen bei geringer Leistungssteigerung.

Signalwellenform bei der Ausgabe mit hohem Lautstärkepegel unter Verwendung der Verstärkungsreglung des Verstärkers



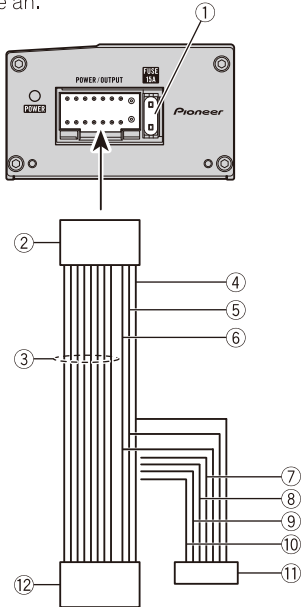
Wenn die Signalwellenform aufgrund einer hohen Ausgabe verzerrt ist, ändert sich selbst beim Erhöhen der Verstärkung des Verstärkers die Ausgabeleistung nur geringfügig. ■

Anschließen des Stromkabels und Lautsprechers



VORSICHT

Schließen Sie das gelbe Kabel an die mit der Sicherungseinheit des Fahrzeugs verbundene Klemme an.



- ① Sicherung 15 A × 1
- ② Zum Netzzugang
- ③ Lautsprecherkabel
Weiß: Vorn links ⊕
Weiß/Schwarz: Vorn links ⊖
Grau: Vorn rechts ⊕
Grau/Schwarz: Vorn rechts ⊖
Grün: Hinten links ⊕
Grün/Schwarz: Hinten links ⊖
Violett: Hinten rechts ⊕
Violett/Schwarz: Hinten rechts ⊖
- ④ Schwarz (Fahrgestell-Erdung)
- ⑤ Gelb
Verbindung mit der Klemme der konstanten 12 V-Spannungsversorgung

- ⑥ Blau/Weiß
Verbindung mit der Systemsteuerungsklemme der Kfz-Stereoanlage.
- ⑦ Rot
Verbindung mit der Klemme der zündungs-gesteuerten Spannungsversorgung (12 V DC)
- ⑧ Orange/weiß
An die Klemme des Lichtschalters anschließen.
- ⑨ Gelb/Schwarz
Wenn Sie ein Gerät mit Stummschaltfunktion verwenden, verbinden Sie diesen Draht mit dem Draht der Audio-Stummschaltung dieses Geräts. Andernfalls sollte der Draht der Audio-Stummschaltung (Mute) frei bleiben.
- ⑩ Rosa
Verbindung mit dem Fahrzeuggeschwindigkeitssignaleingang.
- ⑪ ISO-Anschluss (Strom)
Verbindung mit der Stromversorgungsklemme der Kfz-Stereoanlage.
- ⑫ ISO-Anschluss (Lautsprecher)
Verbindung mit der Lautsprecherklemme der Kfz-Stereoanlage. ▣

Vor dem Anschluss des Verstärkers




WARNUNG


- Sichern Sie die Kabel mit Kabelklemmen oder Klebeband. Zum Schutz der Kabel sollten Sie Kabelabschnitte, die mit Metallteilen in Berührung kommen, mit Klebeband umwickeln.
- Durchtrennen Sie niemals die Isolierung der Spannungsversorgung, um ein anderes Gerät mit Strom zu versorgen. Das Kabel hat eine begrenzte Stromkapazität.

Anschließen der Geräte

VORSICHT

- Kürzen Sie die Kabel nicht, da dies eine Funktionsstörung der Schutzschaltung zur Folge haben kann.
- Verdrahten Sie das negative Lautsprecherkabel niemals direkt mit der Erde.
- Schließen Sie niemals die negativen Kabel mehrerer Lautsprecher zusammen.
- Wenn das Systemfernbedienungskabel des Verstärkers über die Zündung (12 V Gleichspannung) mit der Stromklemme verbunden wird, bleibt der Verstärker unabhängig davon, ob die Kfz-Stereoanlage ein- oder ausgeschaltet ist, mit der Zündung eingeschaltet. Dies kann bei ausgeschaltetem oder im Leerlauf befindlichen Motor zu einer Entleerung der Fahrzeugbatterie führen.
- Installieren und verlegen Sie das Stromkabel, das Erdungskabel, die Lautsprecherkabel und den Verstärker so weit wie möglich von der Antenne, vom Antennenkabel und vom Tuner entfernt. 

Anschluss-/Abtrennstelle des Steckers

- Schieben Sie den Stecker ein, bis Sie ein Klickgeräusch hören und eine sichere Verbindung hergestellt ist.
- Halten Sie den Stecker zum Abtrennen am Steckerteil fest und ziehen Sie ihn heraus. Wenn am Kabel gezogen wird, kann dieses aus dem Stecker gezogen werden. 

Zur geeigneten Lautsprecherspezifikation

Stellen Sie sicher, dass die Lautsprecher den folgenden Standards entsprechen. Andernfalls besteht ein Risiko von Feuer, Rauchentwicklung oder Beschädigung. Die Lautsprecherimpedanz beträgt $2\ \Omega$ bis $8\ \Omega$ bzw. $4\ \Omega$ bis $8\ \Omega$ für Zweikanal- und andere Brückenanschlüsse.

Subwoofer

Lautsprecherkanal	Strom
Vierkanal-Ausgang	Eingangsnennleistung: Min. 45 W
Zweikanal-Ausgang	Eingangsnennleistung: Min. 90 W
Dreikanal-Frontlautsprecher-Ausgang	Eingangsnennleistung: Min. 45 W
Dreikanal-Hecklautsprecher-Ausgang	Eingangsnennleistung: Min. 90 W

Anderer Lautsprecher als Subwoofer

Lautsprecherkanal	Strom
Vierkanal-Ausgang	Max. Eingangsleistung: Min. 100 W
Zweikanal-Ausgang	Max. Eingangsleistung: Min. 200 W
Dreikanal-Frontlautsprecher-Ausgang	Max. Eingangsleistung: Min. 100 W
Dreikanal-Hecklautsprecher-Ausgang	Max. Eingangsleistung: Min. 200 W



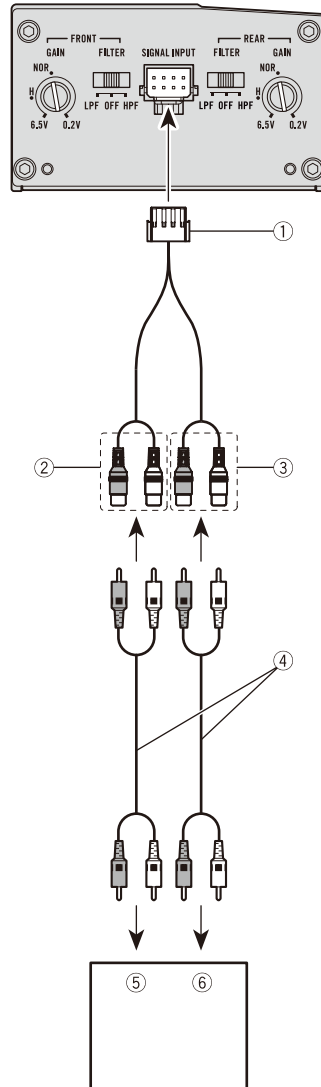
Anschlüsse bei Verwendung des Cinch-Eingangs

Verbinden Sie den Cinch-Ausgang der Kfz-Stereoanlage mit dem Cinch-Eingang des Verstärkers.

- Schließen Sie den Lautsprecher nicht zur Lautsprecherwiedergabe an die Kfz-Stereoanlage an, während der Cinch-Eingang verwendet wird.

Wenn der Lautsprecher an die Kfz-Stereoanlage angeschlossen ist, muss die Stromversorgung direkt von einer Kfz-Batterie erfolgen, da die Stromaufnahme des Gesamtsystems hoch wird.

Vierkanal-/Dreikanal-Eingang

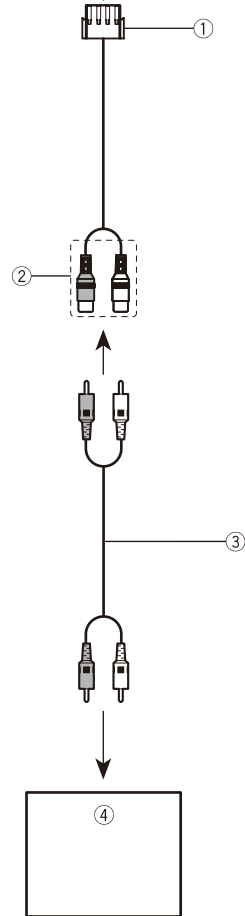
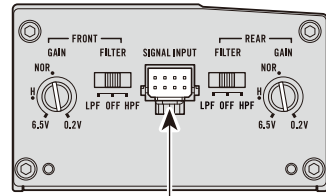


- ① RCA 4-kanal Eingangskabel
Zur Signaleingangsklemme dieses Geräts.
- ② Vorderer Cinch-Eingang
- ③ Hinterer Cinch-Eingang

Anschließen der Geräte

- ④ Cinch-Kabel (separat erhältlich)
- ⑤ Kfz-Stereoanlage mit vorderen Cinch-Ausgängen
- ⑥ Kfz-Stereoanlage mit hinteren Cinch-Ausgängen

Zweikanal-Eingang (Stereo) / (Mono)

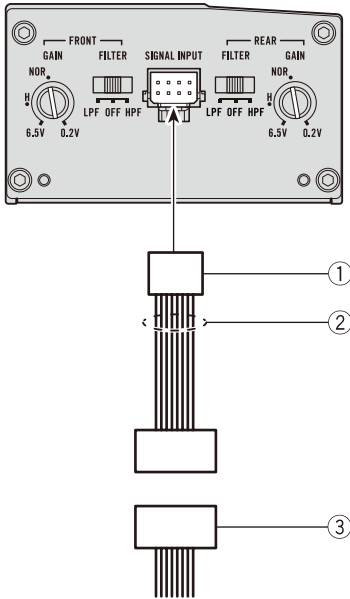


- ① RCA 2-kanal Eingangskabel
Zur Signaleingangsklemme dieses Geräts.
- ② Cinch-Eingang

- ③ Cinch-Kabel (separat erhältlich)
- ④ Kfz-Stereoanlage mit hinteren Cinch-Ausgängen

Anschlüsse bei Verwendung des Lautsprechereingangskabels

Verbinden Sie die Lautsprecherausgangskabel der Kfz-Stereoanlage über das mitgelieferte SP-Eingangskabel mit dem Verstärker.



- ① SP-Eingangskabel
Zur Signaleingangsklemme dieses Geräts.

- ② Lautsprecherkabel
 - Weiß/Schwarz: SP vorn, Links ⊖
 - Weiß: SP vorn, Links ⊕
 - Grau/Schwarz: SP vorn, Rechts ⊖
 - Grau: SP vorn, Rechts ⊕
 - Grün/Schwarz: SP hinten, Links ⊖
 - Grün: SP hinten, Links ⊕
 - Violett/Schwarz: SP hinten, Rechts ⊖
 - Violett: SP hinten, Rechts ⊕
- ③ ISO-Anschluss

Hinweis

Wenn die Lautsprechereingangskabel von einem Hauptgerät an diesem Verstärker angeschlossen sind, wird der Verstärker beim Einschalten des Hauptgeräts automatisch eingeschaltet. Beim Ausschalten des Hauptgeräts wird der Verstärker automatisch ausgeschaltet. Diese Funktion ist in Verbindung mit bestimmten Hauptgeräten möglicherweise nicht verfügbar. Stellen Sie in diesem Fall sicher, dass der vordere L-Kanal korrekt angeschlossen ist. Falls die Funktion weiterhin unverfügbar ist, verwenden Sie bitte ein Systemfernbedienungskabel. Wenn mehrere Verstärker gleichzeitig angeschlossen werden sollen, verbinden Sie das Hauptgerät und alle Verstärker über das Systemfernbedienungskabel.

Installation


Vor der Installation des Verstärkers

WARNUNG

- Um eine ordnungsgemäße Installation zu gewährleisten, verwenden Sie die mitgelieferten Einzelteile in der angegebenen Weise. Wenn andere als die im Lieferumfang enthaltenen Teile verwendet werden, könnten interne Bestandteile des Verstärkers beschädigt oder gelockert werden, was die Außerbetriebsetzung des Verstärkers zur Folge haben kann.
- Nehmen Sie keine Installation an folgenden Stellen vor:
 - Stellen, an denen der Fahrer oder die Beifahrer bei einem plötzlichen Halt des Fahrzeugs verletzt werden könnten.
 - Stellen, an denen das Gerät den Fahrer behindern könnte, z. B. auf dem Boden vor dem Fahrersitz.
- Bringen Sie Blechschrauben so an, dass die Schraubenspitze nicht mit Kabeln in Berührung kommt. Dies ist wichtig, um das Durchtrennen von Kabeln durch Vibrationen des Fahrzeugs zu verhindern, da dies in einem Brand resultieren könnte.
- Stellen Sie sicher, dass Kabel nicht in den Gleitmechanismus der Sitze geraten oder die Beine einer sich im Fahrzeug befindlichen Person berühren, da anderenfalls die Gefahr eines Kurzschlusses besteht.
- Beim Bohren zur Installation des Verstärkers ist stets sicherzustellen, dass keine Teile hinter dem Blech liegen und alle Kabel und wichtigen Fahrzeugteile (z. B. Benzin-/ Bremsleitung, Verkabelung) vor einer Beschädigung geschützt sind.

VORSICHT

- Um eine ordnungsgemäße Wärmeableitung für den Verstärker zu gewährleisten, ist bei der Installation auf Folgendes zu achten:
 - Sorgen Sie für ausreichend Freiraum über dem Verstärker, um eine ordnungsgemäße Lüftung zu gewährleisten.

- Decken Sie den Verstärker nicht mit einer Bodenmatte oder einem Teppich ab.
- Die Schutzfunktion aktiviert sich möglicherweise, um den Verstärker vor Überhitzung zu schützen, welche aufgrund einer Installation an Orten mit unzureichender Wärmeabfuhr oder bei fortwährender Verwendung mit einem hohen Pegel etc. auftreten kann. In diesem Fall verringert der Verstärker seine Ausgangsleistung oder schaltet sich aus und bleibt so lange ausgeschaltet, bis er auf eine festgelegte Temperatur abgekühlt ist.
- Bringen Sie die Kabel in größtmöglicher Entfernung von Stellen an, die sich erhitzen, wie z. B. die Heizungsöffnung.
- Der beste Installationsort ist vom jeweiligen Fahrzeugmodell abhängig. Bringen Sie den Verstärker sicher an einer ausreichend steifen Stelle an.
- Überprüfen Sie vor der endgültigen Installation alle Anschlüsse und Systeme.
- Nach der Installation des Verstärkers ist sicherzustellen, dass Ersatzrad, Wagenheber und Werkzeuge problemlos entnommen werden können. 

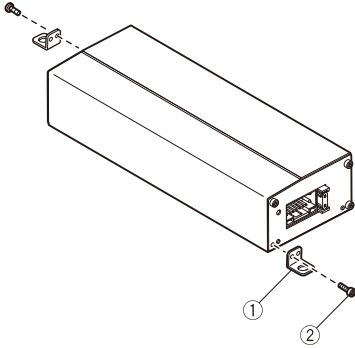
Beispiel für die Installation auf einer Bodenmatte oder an der Karosserie

1 Platzieren Sie den Verstärker am gewünschten Installationsort.

Stecken Sie die mitgelieferten Blechschrauben (4 mm × 18 mm) in die Schraubenlöcher und drücken Sie mit einem Schraubendreher auf sie, um die Position der Montagelöcher zu markieren.

2 Entfernen Sie jede Schraube an der linken und rechten Seite diagonal versetzt von der Unterseite dieses Geräts.

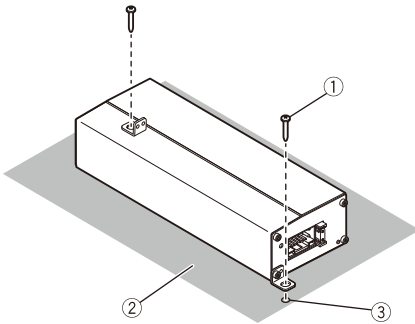
3 Befestigen Sie die Klammer mit den entfernten Schrauben.



- ① Klammer
- ② Schraube

4 Bohren Sie an den markierten Stellen Löcher mit einem Durchmesser von 2,5 mm entweder durch den Teppich oder direkt durch die Karosserie.

5 Bringen Sie den Verstärker mithilfe der mitgelieferten Blechschrauben (4 mm × 18 mm) an.



- ① Blechschrauben (4 mm × 18 mm)
- ② Fußmatte oder Karosserie
- ③ Bohren Sie ein Loch mit einem Durchmesser von 2,5 mm.

Hinweise

- Installieren Sie die Kabel nicht an Stellen, an denen sie die Beine einer Person berühren, da dies im Abtrennen oder einem Kurzschluss resultieren könnte.

Zusätzliche Informationen

Technische Daten


Stromversorgung	14,4 V Gleichspannung (Toleranz 10,5 V bis 16,0 V)
Erdungssystem	Negativ
Stromaufnahme	15 A (bei kontinuierlicher Versorgung 4 Ω)
Durchschnittlicher Stromverbrauch	1,6 A (4 Ω für vier Kanäle) 1,6 A (2 Ω für vier Kanäle)
Sicherung	15 A
Abmessungen (B \times H \times T)	181 mm \times 38 mm \times 64 mm
Gewicht	0,58 kg (Kabel für die Verkabelung nicht inbegriffen)
Max. Ausgangsleistung	100 W \times 4 (bei 14,4 V, 4 Ω)
Dauerausgangsleistung	45 W \times 4 (bei 14,4 V, 4 Ω) 20 Hz bis 20 kHz \leq 1 % THD) 45 W \times 4 (bei 14,4 V, 2 Ω) 1 kHz, \leq 1 % THD)
Lastimpedanz	4 Ω (2 Ω bis 8 Ω zulässig)
Frequenzgang	10 Hz bis 40 kHz (+0 dB, -3 dB)
Signal-Rauschabstand	93 dB (IEC-A-Netz)
Verzerrung	0,05 % (4 W, 1 kHz)
Tiefpassfilter:	
Trennfrequenz	80 Hz
Trennsteilheit	-12 dB/Okt.
Hochpassfilter:	
Trennfrequenz	80 Hz
Trennsteilheit	-12 dB/Okt.
Verstärkungsregelung:	
Cinch	200 mV bis 6,5 V
Lautsprecher	0,8 V bis 16 V
Maximaler Eingangspegel / Impedanz:	
Cinch	6,5 V / 22 k Ω
Lautsprecher	16 V / 22 k Ω

Um Musik in Hi-Res Klangqualität zu genießen, ist es empfehlenswert, nur Komponenten zu nutzen, die dem High-Resolution Audio Standard der Japan Audio Society entsprechen.



Das Produkt mit diesem Logo entspricht dem von der Japan Audio Society festgelegten Standard für High-Resolution Audio. Die Verwendung des Logos ist von der Japan Audio Society lizenziert.

Hinweise

- Änderungen der technischen Daten und des Designs vorbehalten.
- Die durchschnittliche Stromaufnahme bei Eingabe eines Audiosignals entspricht nahezu der maximalen Stromaufnahme dieses Geräts. Verwenden Sie diesen Wert zum Ermitteln der Gesamtstromaufnahme mehrerer Leistungsverstärker. 

Hartelijk dank voor uw keuze voor dit Pioneer-product

Lees deze handleiding voordat u het product in gebruik neemt zodat u het goed leert gebruiken. Lees vooral de gedeelten die met **WAARSCHUWING** en **LET OP** gemarkeerd zijn aandachtig. *Bewaar deze handleiding na het lezen op een veilige, voor de hand liggende plaats zodat u hem indien nodig altijd kunt raadplegen.*



Deponeer dit product niet bij het gewone huishoudelijk afval wanneer u het wilt verwijderen. Er bestaat een speciaal wettelijk voorgeschreven verzamelstelsel voor de juiste behandeling, het opnieuw bruikbaar maken en de recycling van gebruikte elektronische producten.

In de lidstaten van de EU en in Zwitserland en Noorwegen kunnen particulieren afgedankte elektronische producten gratis bij de daarvoor bestemde verzamelplaatsen inleveren. Als u een soortgelijk nieuw product koopt, kunt u het afgedankte product ook bij uw verkooppunt inleveren.

Als u in een ander land woont, neem dan contact op met de plaatselijke overheid voor informatie over het weggooien van afgedankte producten.

Op die manier zorgt u ervoor dat uw afgedankte product op de juiste wijze wordt verwerkt, hergebruikt en gerecycled, zonder schadelijke gevolgen voor het milieu en de volksgezondheid. 

Bezoek onze website

Hier vindt u onze site:

<https://www.pioneer-car.eu/eur>

- Registreer uw product. Wij bewaren de gegevens van het product dat u hebt aangeschaft zodat u deze eenvoudig kunt opvragen als u die nodig mocht hebben voor de verzekering, bijvoorbeeld na verlies of diefstal.
- Op onze website vindt u de laatste informatie over PIONEER CORPORATION. 

Bij problemen

Als dit product niet naar behoren functioneert, kunt u contact opnemen met uw leverancier of het dichtstbijzijnde erkende Pioneer-servicecentrum. 

Vóór u de versterker aansluit of installeert

WAARSCHUWING


- Dit toestel is bedoeld voor voertuigen met een accu van 12 volt en negatieve aarding. Voordat u het toestel in een camper, recreatievoertuig, vrachtwagen of bus installeert, moet u het voltage van de accu controleren.
- Als de zekering van het voertuig op de voedingslijn naar dit toestel minder dan 15 A is, dan moet dit toestel direct vanaf een accu gevoed worden.
Sluit bovendien de luidspreker niet aan op de autoradio voor de luidsprekeruitgang wanneer dit toestel wordt gebruikt.
Als de luidspreker op de autoradio wordt aangesloten, neemt het systeem als geheel veel stroom af; de voeding moet dan direct vanaf de accu van het voertuig komen.

Vóór u begint

- Let er bij installatie van dit toestel op dat de aardkabel eerst wordt aangesloten. Zorg ervoor dat de aardkabel correct is aangesloten op metalen onderdelen van de carrosserie. De aardkabel van dit toestel moet afzonderlijk en met aparte schroeven met het voertuig worden verbonden. Als de schroef van de aardkabel losraakt, kunnen brand, rook en defecten ontstaan.
- Gebruik alleen zekeringen van de aangegeven waarde. Het gebruik van ongeschikte zekeringen kan oververhitting, rookontwikkeling, schade aan het product en lichamelijk letsel zoals brandwonden veroorzaken.
- Als de zekering van de versterker doorbrandt, controleer dan de aansluitingen van de voedingsvoorziening en de luidsprekers. Verhelp de oorzaak van het probleem en vervang de zekering vervolgens door een identieke gelijkwaardige zekering.
- Installeer de versterker altijd op een vlak oppervlak. Installeer de versterker niet op een oppervlak dat niet effen is of uitsteeksel heeft omdat dat tot storing kan leiden.
- Let er bij het installeren van de versterker op dat er geen onderdelen (zoals extra schroeven) tussen het toestel en het voertuig ingeklemd raken. Dat kan storing veroorzaken.
- Zorg ervoor dat het toestel niet met vloeistof in aanraking komt. Dat kan een elektrische schok of rookvorming, oververhitting en schade aan het toestel veroorzaken. De behuizing van de versterker en de erop aangesloten luidsprekers kunnen ook heet worden en lichte brandwonden veroorzaken.
- Bij een storing wordt de stroomvoorziening naar de versterker afgesneden om schade te voorkomen. Schakel als dat gebeurt het systeem uit en controleer de stroomvoorziening en de luidspreker aansluitingen. Als u de oorzaak van het probleem niet zelf kunt bepalen, neemt u contact op met uw leverancier.
- Ontkoppel altijd eerst de negatieve \ominus pool van de accu om een elektrische schok of kortsluiting te voorkomen tijdens de installatie.


- Probeer niet het toestel uit elkaar te halen of te wijzigen. Daardoor kunt u brand, een elektrische schok of andere storingen veroorzaken.

LET OP

- Zet het volume nooit zo hoog dat u geluiden buiten het voertuig niet meer kunt horen.
- Langdurig gebruik van het audiosysteem kan de accu uitputten wanneer de motor is uitgeschakeld of stationair draait.
- Dit product is getest in gematigde en tropische klimaatomstandigheden volgens IEC 62368, Audio-, video- en soortgelijke elektronische toestellen - Veiligheidseisen.
- Het grafische symbool  op het product duidt gelijkstroom aan.

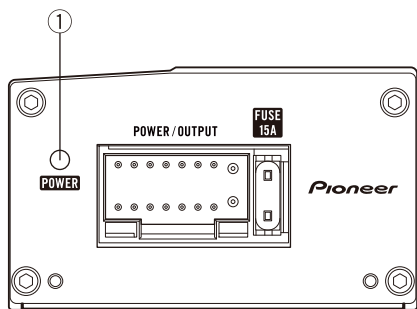
Informatie over de beveiligingsfunctie

Dit product is voorzien van een beveiligingsfunctie. Als het product een abnormale situatie detecteert, treden de volgende functies in werking om het product en de luidsprekeruitgang te beschermen.

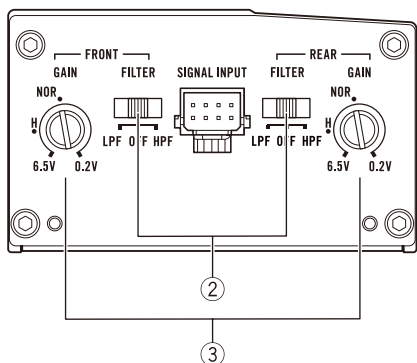
- In de volgende situaties gaat het voedingslampje uit en wordt de versterker uitgeschakeld.
 - Als de temperatuur in het product te hoog oploopt.
 - Als er kortsluiting optreedt tussen de luidsprekeruitgang en de luidsprekerkabel.
 - Als er gelijkspanning wordt gezet op de luidsprekeruitgang.
 - Als de accuspanning buiten het gebruiksbereik valt.
- Het uitgangsvermogen van de versterker wordt beperkt als de temperatuur in de versterker hoog oploopt. Als de temperatuur te hoog wordt, dan gaat het voedingslampje uit en wordt de versterker uitgeschakeld. 

Wat is wat

Rechterzijde



Linkerzijde



Gebruik indien nodig een platte schroevendraaier om de schakelaar te verzetten.

① Voedinglampje

Het voedinglampje brandt wanneer de voeding is ingeschakeld (ON).

② Selectieschakelaar LPF/HPF (low pass filter/high pass filter)

Selecteer de gewenste filter voor de aangesloten luidspreker.

- Indien een subwoofer is aangesloten: Selecteer **LPF**. Deze filter houdt de hoge frequenties tegen en laat de lage tonen door.

- Indien een luidspreker met vol bereik is aangesloten: Selecteer **HPF** of **OFF**. **HPF** houdt de lage frequenties tegen en laat de hoge tonen door. **OFF** laat het volledige frequentiebereik door.
- Zet het volume van het hoofdtoestel laag voordat u de selectieschakelaar **LPF/HPF** instelt.

③ GAIN-regelknoppen (versterkingsfactor)

Met de regelknoppen **Voorkanaal** en **Achterkanaal** kunt u de uitgang van de autoradio en de Pioneer-versterker op elkaar afstemmen. De standaardinstelling is **NORMAL**.

Als het geluidsniveau laag blijft hoewel u de autoradio luider zet, zet u de regelknoppen lager. Als het geluid vervormd wordt wanneer de autoradio luider wordt gezet, zet u de regelknoppen hoger.

- Bij het gebruik van een brugverbinding, zet de versterkingsregelaars van de voor- en achterspeakers op hetzelfde niveau.
- Voor gebruik met een autoradiosysteem met RCA (standaarduitgang van 500 mV) stelt u de knoppen af op **NORMAL**. Voor gebruik met een Pioneer-autoradiosysteem met RCA en een maximale uitgangsspanning van 4 V of hoger, stemt u het niveau af op de uitgang van de autoradio.
- Voor gebruik met een systeem met RCA met een uitgangsspanning van 4 V, stelt u deze af op **H**.

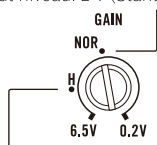
Het toestel installeren

De versterkingsfactor correct instellen

- Een correcte instelling van de versterkingsfactor beschermt het toestel en/of de luidsprekers tegen storing door een te hoog uitgangsniveau, onjuist gebruik of een verkeerde aansluiting.
- Als het geluidsniveau enz. te hoog wordt, sluit deze functie het uitgangssignaal enkele seconden af. Het signaal wordt weer doorgelaten wanneer het volume op het hoofdtoestel daalt.
- Onderbrekingen in de geluidsweggeve kunnen erop duiden dat de versterkingsfactor niet juist is afgesteld. Om geluidsonderbrekingen bij een hoog volume van het hoofdtoestel te vermijden, moet u de versterkingsfactor van de versterker aanpassen aan het maximale preout-uitgangsniveau van het hoofdtoestel, zodat het volume ongewijzigd blijft en een te sterk uitgangssignaal wordt voorkomen.
- Het kan gebeuren dat het geluid toch wordt afgebroken als de versterkingsfactor en het volume correct zijn ingesteld. Neem in dat geval contact op met het dichtstbijzijnde erkende servicecentrum van Pioneer.

De gain-regelknop op dit toestel

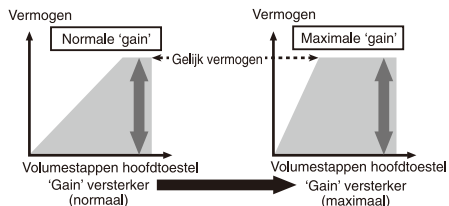
Preout niveau: 2 V (Standaard: 500 mV)



Preout niveau: 4 V

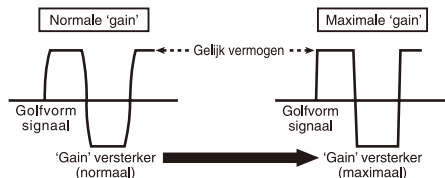
Op de afbeelding hierboven ziet u de instelling **NORMAL**.

Verband tussen de versterkingsfactor van de versterker en het uitgangsvermogen van het hoofdtoestel



Een onjuiste verhoging van de versterkingsfactor van de versterker resulteert slechts in meer vervorming en weinig vermogenstoename.

Golfvormig signaal bij hoog uitgangsvolume met versterkingsregeling voor de versterker

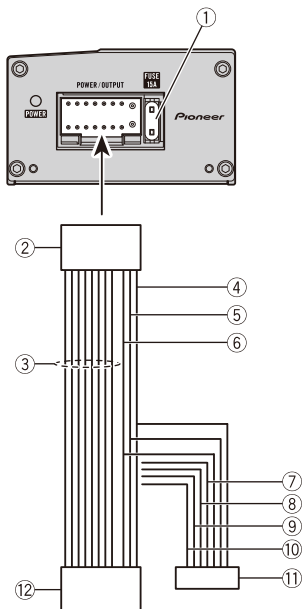


Als de golfvorm van het signaal wordt vervormd door een hoge uitgang, verandert het uitgangsvermogen slechts gering, ook als de gain van de versterker wordt verhoogd. ■

De netkabel en de luidsprekers aansluiten

! LET OP

Sluit de gele kabel aan op de aansluiting die is verbonden met de zekering van het voertuig.



- ① Zekering 15 A × 1
- ② Naar ingang stroomkabel
- ③ Luidsprekerkabel
Wit: Linksvoor ⊕
Wit/zwart: Linksvoor ⊖
Grijs: Rechtsvoor ⊕
Grijs/zwart: Rechtsvoor ⊖
Groen: Linksachter ⊕
Groen/zwart: Linksachter ⊖
Violet: Rechtsachter ⊕
Violet/zwart: Rechtsachter ⊖
- ④ Zwart (chassisaarding)
- ⑤ Geel
Aansluiten op de constante 12 V voedingsaansluiting.

- ⑥ Blauw/wit
Aansluiten op de systeembediendingsaansluiting van de autoradio.
- ⑦ Rood
Aansluiten op een aansluiting die door de contactschakelaar wordt aangestuurd (12 V gelijkstroom).
- ⑧ Oranje/wit
Aansluiten op de lichtschakelaar.
- ⑨ Geel/zwart
Als u apparatuur met dempingsfunctie gebruikt, verbindt u deze draad met de draad voor audiodemping op die apparatuur. Als u zulke apparatuur niet gebruikt, verbindt u de draad voor audiodemping niet.
- ⑩ Roze
Aansluiten op de ingang voor het snelheids-signaal van het voertuig.
- ⑪ ISO-stekker (voeding)
Aansluiten op de voedingsaansluiting van de autoradio.
- ⑫ ISO-stekker (luidspreker)
Aansluiten op de luidsprekeraansluiting van de autoradio. ▣


Vóór u de versterker aansluit

! WAARSCHUWING

- Gebruik kabelklemmen of plakband om de bekabeling veilig aan te brengen. Wikkel kabels die tegen metalen onderdelen liggen ter bescherming in met tape.
- Snijd in geen geval de isolatie van de voedingskabel open om andere apparatuur van stroom te voorzien. De stroomcapaciteit van de voedingskabel is beperkt.

De toestellen aansluiten

LET OP

- U mag kabels nooit inkorten omdat daardoor storing kan optreden in het beveiligingscircuit.
- Verbind de negatieve luidsprekerkabel nooit rechtstreeks met de aarding.
- Voeg meerdere negatieve luidsprekerkabels nooit samen.
- Als de systeemafstandsbedieningskabel van de versterker met de voeding is verbonden via de contactschakelaar (12 V gelijkstroom), blijft de versterker ingeschakeld zolang het contact aan staat (ongeacht of de autoradio is in- of uitgeschakeld). Hierdoor kan de accu worden uitgeput wanneer de motor uit staat of stationair draait.
- Installeer en plaats de voedingskabel, de aardkabel, de luidsprekerdraden en de versterker zo ver mogelijk uit de buurt van de antenne, de antennekabel en de tuner. 

De stekker correct aansluiten en verwijderen

- Duw de stekker vast tot u een klik hoort, en controleer of hij stevig vastzit.
- Wanneer u de stekker verwijdert, moet u de stekker zelf vasthouden en eruit trekken. Als u aan de kabel trekt, kan die loskomen van de stekker. 

Luidsprekerspecificaties

De luidsprekers die u gebruikt moeten aan de volgende vereisten voldoen, anders bestaat er een risico op rookontwikkeling, brand of andere schade. De luidsprekerimpedantie bedraagt 2Ω tot 8Ω , of 4Ω tot 8Ω voor twee kanalen en andere brugschakelingen.

Subwoofer

Luidsprekerkanaal	Vermogen
4-kanaalsuitgang	Nominale ingang: Min, 45 W
2-kanaalsuitgang	Nominale ingang: Min, 90 W
3-kanaalsuitgang voorluidspreker	Nominale ingang: Min, 45 W
3-kanaalsuitgang achterluidspreker	Nominale ingang: Min, 90 W

Andere dan de subwoofer

Luidsprekerkanaal	Vermogen
4-kanaalsuitgang	Maximale ingang: Min, 100 W
2-kanaalsuitgang	Maximale ingang: Min, 200 W
3-kanaalsuitgang voorluidspreker	Maximale ingang: Min, 100 W
3-kanaalsuitgang achterluidspreker	Maximale ingang: Min, 200 W



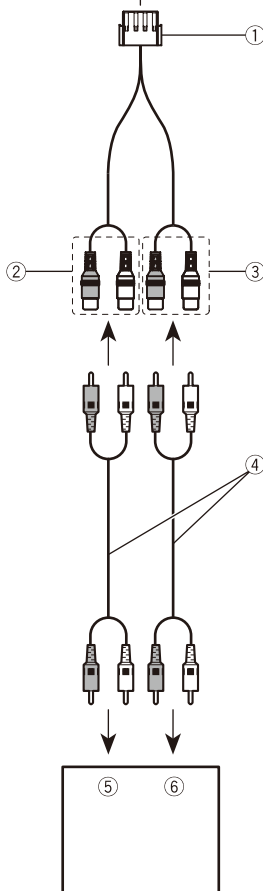
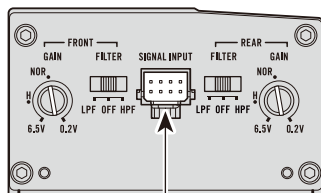
Aansluiting via de RCA-ingang

Sluit de RCA-uitgang van de autoradio aan op de RCA-ingang van de versterker.

- Sluit de luidspreker niet aan op de autoradio voor de luidsprekeruitgang wanneer de RCA-ingang wordt gebruikt.

Als de luidspreker op de autoradio wordt aangesloten, neemt het systeem als geheel veel stroom af; de voeding moet dan direct vanaf de accu van het voertuig komen.

4- of 3-kanaalsingang

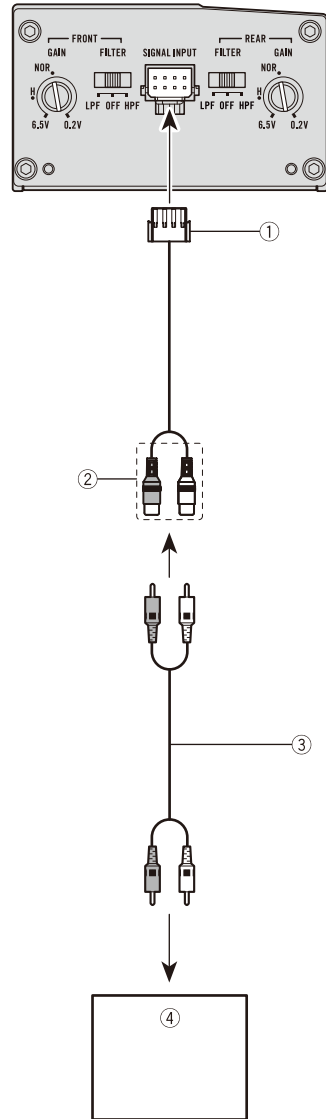


- ① RCA 4 ch ingangskabel
Naar de signaalingsaansluiting van dit toestel.
- ② RCA-vooringang

De toestellen aansluiten

- ③ RCA-achteringang
- ④ RCA-kabels (los verkrijgbaar)
- ⑤ Autoradio met RCA-vooruitgangen
- ⑥ Autoradio met RCA-achteruitgangen

2-kanaalsingang (stereo) / (mono)

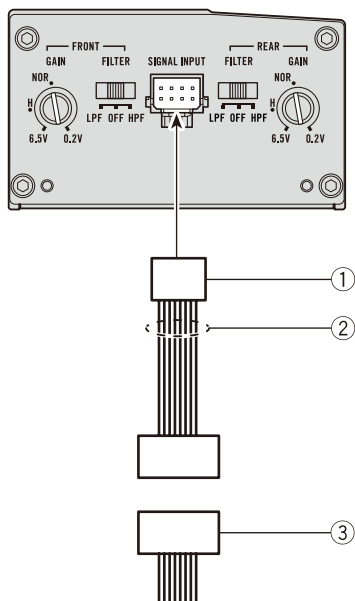


- ① RCA 2 ch ingangskabel
Naar de signaalingsaansluiting van dit toestel.

- ② RCA-ingang
- ③ RCA-kabels (los verkrijgbaar)
- ④ Autoradio met RCA-uitgangen

Aansluiting via de luidspreker-ingangskabel

Verbind de luidsprekeruitgangsdraden van de autoradio met de versterker d.m.v. de bijgeleverde luidspreker-ingangskabel.



- ① Luidspreker-ingangskabel
Naar de signaal-ingangsaansluiting van dit toestel.

- ② Luidsprekerkabel
 - Wit/zwart: Voorluidspreker, links ⊖
 - Wit: Voorluidspreker, links ⊕
 - Grijs/zwart: Voorluidspreker, rechts ⊖
 - Grijs: Voorluidspreker, rechts ⊕
 - Groen/zwart: Achterluidspreker, links ⊖
 - Groen: Achterluidspreker, links ⊕
 - Paars/zwart: Achterluidspreker, rechts ⊖
 - Paars: Achterluidspreker, rechts ⊕
- ③ ISO-stekker

Opmerking

Als de luidsprekersingangsdraden van een hoofdtoestel op deze versterker worden aangesloten, wordt de versterker automatisch ingeschakeld als het hoofdtoestel wordt ingeschakeld. Als het hoofdtoestel wordt uitgeschakeld, wordt de versterker ook automatisch uitgeschakeld. Deze functie werkt mogelijk niet met bepaalde hoofdtoestellen. Controleer in dat geval of het kanaal linksvoor correct is aangesloten. Als de functie nog steeds niet werkt, gebruik dan een systeemafstandsbedieningskabel. Als u meerdere versterkers samen synchroon wilt aansluiten, sluit u het hoofdtoestel en alle versterkers aan via de systeemafstandsbedieningskabel.

Installatie

Vóór u de versterker installeert



WAARSCHUWING

- Voor een correcte installatie moet u de geleverde onderdelen op de aangegeven wijze gebruiken. Andere onderdelen dan de geleverde kunnen het binnenwerk van de versterker beschadigen of los raken en de versterker alle dienst doen weigeren.
- Installeer het toestel niet:
 - op plaatsen waar de bestuurder of passagiers erdoor verwond kunnen raken wanneer het voertuig plotseling stopt.
 - op plaatsen waar het de bestuurder kan hinderen, bijvoorbeeld op de vloer bij de bestuurdersplaats.
- Plaats zelftappende schroeven zo dat de punt van de schroef geen kabels raakt. Dit is belangrijk omdat de kabel anders door voertuigtrillingen door de schroef kan worden ingesneden, wat brand kan veroorzaken.
- Let erop dat de kabels niet vast kunnen komen te zitten in de stoelrails of een lichaamsdeel van een inzittende kunnen raken. Dit kan kortsluiting veroorzaken.
- Let er bij het boren op dat zich aan de achterkant van het paneel geen onderdelen bevinden. Scherm alle kabels en belangrijke onderdelen (bijvoorbeeld brandstof- en remleidingen, andere bekabeling) eerst zorgvuldig af.



LET OP

- Let tijdens de installatie op de volgende punten om te zorgen dat de versterker voldoende warmte kan afgeven:
 - Laat voldoende ventilatieruimte vrij boven de versterker.
 - Leg geen mat of ander materiaal over de versterker.

- De beveiligingsfunctie kan in werking treden om de versterker tegen oververhitting te beschermen wanneer hij wordt gebruikt als er onvoldoende warmteafgifte is, bij langdurig gebruik met een hoog volume, e.d. In dat geval wordt het uitgangsvermogen van de versterker beperkt of wordt hij uitgeschakeld tot de temperatuur voldoende gedaald is.
- Leg kabels niet op plaatsen die heet kunnen worden, zoals dicht bij de kachel.
- De optimale installatieplek verschilt van voertuig tot voertuig. Plaats de versterker op een plek die voldoende sterk en stijf is.
- Controleer alle aansluitingen en systemen voordat u de installatie voltooit.
- Controleer, nadat u de versterker hebt geïnstalleerd, of het reservewiel en het bijbehorende gereedschap nog ongehinderd bereikbaar zijn.

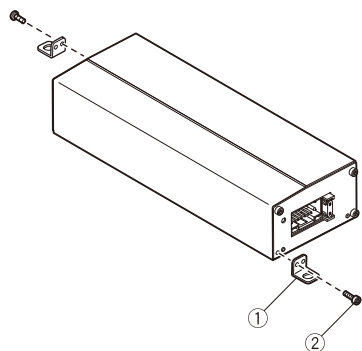
Voorbeeld van een installatie op de vloermat of het chassis

1 Plaats de versterker op de gewenste installatieplaats.

Plaats de meegeleverde zelftappende schroeven (4 mm × 18 mm) in de schroefgaten en duw erop met een schroevendraaier zodat de punt een afdruk laat op de plaats waar de boorgaten moeten komen.

2 Verwijder diagonaal tegenover elkaar een schroef beneden aan de linker zijkant en een schroef beneden aan de rechter zijkant van het toestel.

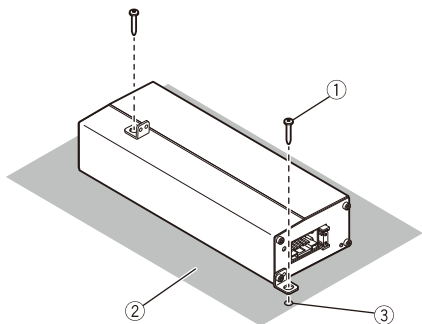
3 Monteer de bevestigingsklemmen met de verwijderde schroeven.



- ① Bevestigingsklem
- ② Schroef

4 Boor op deze plaatsen een gat met een diameter van 2,5 mm door de vloerbekleding of rechtstreeks in het chassis.

5 Bevestig de versterker met de bijgeleverde zelftappende schroeven (4 mm × 18 mm).



- ① Zelftappende schroeven (4 mm × 18 mm)
- ② Vloermat of chassis
- ③ Boor een gat met een diameter van 2,5 mm

Opmerkingen

- Leg geen draden op plaatsen waar ze de benen van inzittenden kunnen raken omdat ze dan kunnen losraken of er kortsluiting kan ontstaan.
- Installeer de versterker niet op een plaats waar er waterdruppels op kunnen vallen. ■

Aanvullende informatie

Technische gegevens

Spanningsbron	14,4 V gelijkstroom (10,5 V tot 16,0 V toelaatbaar)
Aarding	Negatief
Stroomverbruik	15 A (bij continuvermogen, 4 Ω)
Gemiddeld stroomverbruik	1,6 A (4 Ω voor vier kanalen)
	1,6 A (2 Ω voor vier kanalen)
Zekering	15 A
Afmetingen (B \times H \times D)	181 mm \times 38 mm \times 64 mm
Gewicht	0,58 kg (kabels niet inbegrepen)
Maximaal uitgangsvermogen	100 W \times 4 (bij 14,4 V, 4 Ω)
Continu uitgangsvermogen	45 W \times 4 (bij 14,4 V, 4 Ω)
	20 Hz tot 20 kHz \leq 1 % THD)
	45 W \times 4 (bij 14,4 V, 2 Ω , 1 kHz, \leq 1 % THD)
Belastingimpedantie	4 Ω (2 Ω tot 8 Ω toegestaan)
Frequentierespons	10 Hz tot 40 kHz (+0 dB, -3 dB)
Signaal-tot-ruisverhouding	93 dB (IEC-A-netwerk)
Vervorming	0,05 % (4 W, 1 kHz)
Laagdoorlaatfilter:	
Drempelfrequentie	80 Hz
Drempelafval	-12 dB/oct
Hoogdoorlaatfilter:	
Drempelfrequentie	80 Hz
Drempelafval	-12 dB/oct
Gain-regeling:	
RCA	200 mV tot 6,5 V
Luidspreker	0,8 V tot 16 V
Maximaal ingangsniveau / impedantie:	
RCA	6,5 V / 22 k Ω
Luidspreker	16 V / 22 k Ω

Om muziek met Hi-Res-geluidskwaliteit weer te geven, wordt aanbevolen om alleen componenten te gebruiken die voldoen aan de norm voor High Resolution Audio van de Japan Audio Society.



Dit logo geeft aan dat het product voldoet aan de norm voor High Resolution Audio van de Japan Audio Society. Dit logo wordt gebruikt onder licentie van de Japan Audio Society.

Opmerkingen

- Technische gegevens en ontwerp kunnen zonder voorafgaande kennisgeving worden gewijzigd.
- Wanneer een audiosignaal wordt ingevoerd, is het gemiddelde stroomverbruik door dit toestel bijna gelijk aan het maximale stroomverbruik. Gebruik deze waarde om het totale stroomverbruik door meerdere versterkers te berekenen. 

Благодарим Вас за покупку этого изделия компании PIONEER

Для обеспечения правильности эксплуатации внимательно прочитайте данное руководство перед началом использования изделия. Особенно важно, чтобы Вы прочли и соблюдали инструкции, помеченные в данном руководстве заголовками **ПРЕДУПРЕЖДЕНИЕ** и **ВНИМАНИЕ**. *Держите данное руководство под рукой для обращения к нему в будущем.*



Если вы желаете утилизировать данное изделие, не выбрасывайте его вместе с обычным бытовым мусором. Существует отдельная система сбора использованных электронных изделий в соответствии с законодательством, которая предполагает соответствующее обращение, возврат и переработку.

Частные лица в странах Евросоюза, Швейцарии и Норвегии могут бесплатно возвращать использованные электронные изделия в специализированные пункты приема или в магазин (при покупке аналогичного нового устройства).

Если Ваша страна не указана в приведенном выше перечне, обращайтесь в органы местного управления за инструкциями по правильной утилизации продукта. Тем самым Вы обеспечите утилизацию Вашего изделия с соблюдением обязательных процедур по обработке, утилизации и вторичной переработке и, таким образом, предотвратите потенциальное негативное воздействие на окружающую среду и здоровье людей. ■

Дату изготовления оборудования можно определить по серийному номеру, который содержит информацию о месяце и годе производства. ■

Посетите наш сайт

Посетите наш сайт:

<https://www.pioneer-car.eu/eur>

- Зарегистрируйте приобретенное изделие. Мы сохраним сведения о Вашей покупке, что поможет Вам ссылаться на эту информацию в случае страхового требования по причине потери или кражи.
- Самую свежую информацию о PIONEER CORPORATION можно получить на нашем веб-сайте. ■

При возникновении проблем

При неполадках в работе этого изделия свяжитесь с торговым представителем компании-производителя или с ближайшим сервисным пунктом Pioneer. ■

Перед подключением/ установкой усилителя



ПРЕДУПРЕЖДЕНИЕ

- Данное устройство предназначено для транспортных средств с 12-вольтовым аккумулятором и заземлением отрицательного полюса. Перед установкой данного устройства в жилом автофургоне, грузовике или автобусе проверьте напряжение аккумулятора.
- Если номинал предохранителя автомобиля, через который осуществляется питание данного устройства, не превышает 15 А, подключите устройство непосредственно к аккумуляторной батарее. Кроме того, при использовании данного ус-

Перед началом эксплуатации

тройства не подключайте громкоговоритель к выходу автомобильной аудиосистемы.

Если громкоговоритель подключен к автомобильной аудиосистеме, питание должно осуществляться непосредственно от аккумуляторной батареи автомобиля, поскольку ток, потребляемый всей системой, будет большим.

- При установке данного устройства необходимо сначала подключить провод заземления. Убедитесь, что провод заземления должным образом подключен к металлическим деталям кузова автомобиля. Провод заземления должен монтироваться отдельно от заземления данного устройства с использованием отдельных винтов. Ослабление затяжки или выпадение винта крепления может стать причиной пожара, задымления или сбоя в работе устройства.
- Используйте только предохранители указанного номинала. Использование предохранителя с другими характеристиками может стать причиной перегрева, задымления, повреждения устройства, а также травм, включая ожоги.
- Если перегорел предохранитель усилителя, проверьте правильность подключения источника питания и громкоговорителей. Выявите и устраните причину, а затем замените предохранитель на новый с идентичными номинальными характеристиками.
- Устанавливайте усилитель только на ровной поверхности. Не устанавливайте на поверхностях с уклоном или неровностями. Это может стать причиной неисправности.
- При установке усилителя убедитесь, что никакие детали (например, винты) не попали в пространство между усилителем и автомобилем. Это может стать причиной неисправности.

- Не допускайте попадания жидкости на данное устройство. Это может повлечь поражение электрическим током. Кроме того, попадание жидкости в устройство может стать причиной его выхода из строя, перегрева и появления дыма. Наружные поверхности усилителя и подключаемых громкоговорителей также могут нагреваться и при прикосновении к ним вызывать небольшие ожоги.
- При возникновении каких-либо отклонений от нормального режима работы необходимо отключить питание усилителя, чтобы избежать возникновения серьезных неисправностей. В таких случаях следует установить переключатель питания системы в положение "выкл." и проверить соединения проводов подачи питания и громкоговорителей. Если Вам не удалось выявить причину самостоятельно, обратитесь к своему дилеру.
- Перед установкой всегда отключайте отрицательную \ominus клемму аккумулятора во избежание поражения электрическим током или короткого замыкания.
- Не пытайтесь разбирать или видоизменять данное устройство. Это может привести к пожару, поражению электрическим током или стать причиной иных неполадок.


ВНИМАНИЕ

- Всегда сохраняйте уровень громкости достаточно низким, чтобы были слышны звуки извне.
- Работа усилителя на повышенной мощности в режиме стерео при выключенном или работающем на холостом ходу двигателе может привести к разрядке аккумулятора.
- Данное изделие оценено на соответствие требованиям стандарта IEC 62368, "Аудио, видео- и аналоговая электронная аппаратура. Требования безопасности" в условиях умеренного и тропического климата.

- Графический символ  на изделии означает постоянный ток.

Функция защиты

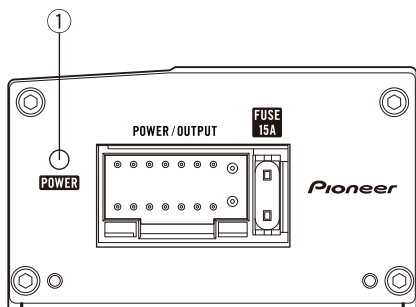
Данное изделие оснащено функцией защиты. При обнаружении неисправности срабатывают следующие функции защиты изделия и громкоговорителя.

- Индикатор питания гаснет, а усилитель автоматически выключается в следующих случаях.
 - При повышении температуры внутри устройства.
 - При наличии короткого замыкания между выходной клеммой и проводом громкоговорителя.
 - При подаче на выходную клемму громкоговорителя напряжения постоянного тока.
 - При выходе напряжения аккумуляторной батареи за допустимые пределы.
- Усилитель уменьшает выходную мощность, если температура внутри корпуса повышается. При перегреве индикатор питания гаснет, а усилитель автоматически выключается. 

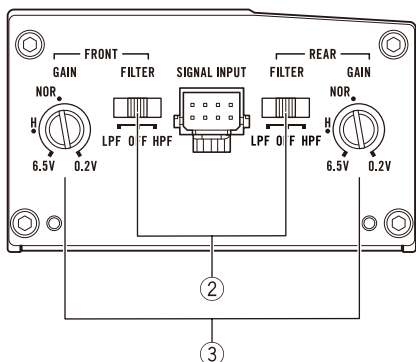
Настройка усилителя

Описание элементов устройства

Правая сторона



Левая сторона



Для регулировки переключателя используйте отвертку с плоским жалом.

① Индикатор питания

При включении питания загорается индикатор питания.

② Переключатель LPF (фильтр низких частот)/HPF (фильтр высоких частот)

Переключите настройки в соответствии с характеристиками подключенного громкоговорителя.

- При подключении сабвуфера:

Выберите **LPF**. При этом отсекаются высокие частоты и воспроизводятся низкие частоты.

- При подключении широкополосного громкоговорителя:
Выберите **HPF** или **OFF**. При установке переключателя в положение **HPF** отсекаются низкие частоты и воспроизводятся высокие частоты. При установке переключателя в положение **OFF** воспроизводится весь диапазон частот.
- Установите переключатели **LPF/HPF** после приглушения звука главного устройства.

③ Регулятор GAIN (уровня усиления)


С помощью регуляторов усиления **Передний канал** и **Задний канал** можно установить оптимальную выходную мощность автомобильной аудиосистемы в соответствии с мощностью усилителя Pioneer. Настройкой по умолчанию является **NORMAL**.

Если выходная мощность остается низкой, даже когда регулятор громкости звука находится в максимальном положении, установите регуляторы мощности на более низкий уровень. Если при установке регулятора громкости в максимальное положение появляются искажения, установите регуляторы мощности на более высокий уровень.

- При использовании мостового подключения установите регулятор **GAIN** фронтальных и тыловых динамиков на один и тот же уровень.
- При использовании автомобильной аудиосистемы, оснащенной **RCA** (стандартная выходная мощность 500 мВ), установите регулятор в положение **NORMAL**. При использовании автомобильной аудиосистемы Pioneer, оснащенной **RCA**, с выходной мощностью 4 В и более установите уровень мощности усилителя так,

Настройка усилителя

чтобы он соответствовал уровню выходной мощности автомобильной аудиосистемы.

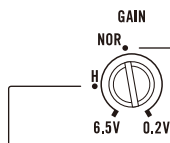
- При использовании автомобильной аудиосистемы, оснащенной RCA (выходная мощность 4 В), установите регулятор в положение **H**. 

Установка коэффициента усиления

- В устройстве предусмотрена функция защиты от установки слишком высокой мощности, неверного использования или неверного подключения, способных привести к выходу усилителя из строя.
- При установке слишком высокого уровня громкости и т. п. данная функция на несколько секунд отключает звук (это не является неисправностью) и вновь включает его при снижении уровня громкости на главном устройстве.
- Отключение звука может означать, что установлен неверный коэффициент усиления. Чтобы звук не отключался при установке максимального уровня громкости на основном устройстве, коэффициент усиления усилителя должен соответствовать максимальному уровню выходной мощности основного устройства. В этом случае уровень громкости не будет изменяться, а коэффициент усиления не будет превышать допустимого значения.
- Уровень громкости и коэффициент усиления установлены правильно, но звук все равно периодически отключается. В этом случае обратитесь в ближайший авторизованный сервисный центр Pioneer.

Регулировка коэффициента усиления данного устройства

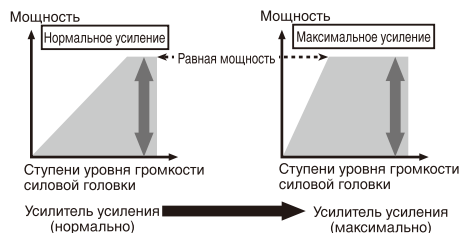
Выходная мощность: 2 В (стандартная: 500 мВ)



Выходная мощность: 4 В

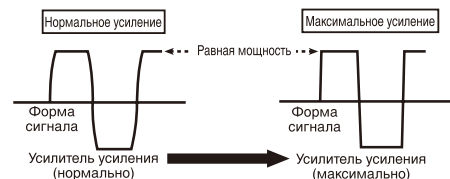
На рисунке выше показано положение регулятора усиления на уровне **NORMAL**.


Отношение коэффициента усиления усилителя и выходной мощности основного устройства



При чрезмерном повышении коэффициента усиления резко увеличиваются искажения, а мощность повышается незначительно.

Форма сигнала на выходе при высоком уровне громкости, созданном с помощью регулятора коэффициента усиления усилителя



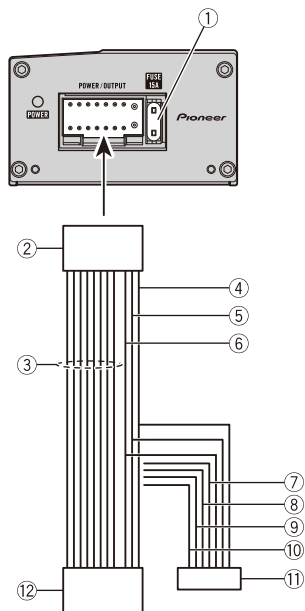
Если при высоком уровне громкости, даже когда коэффициент усиления увеличен, происходит искажение формы сигнала, выходная мощность увеличивается незначительно. 

Подключение устройств

Подключение шнура питания и громкоговорителя

⚠ ВНИМАНИЕ

Подключите шнур желтого цвета к клемме, соединенной с блоком предохранителей автомобиля.



- ① Плавкий предохранитель: 15 А × 1
- ② К гнезду шнура питания
- ③ Кабель громкоговорителя
Белый: Передний левый ⊕
Белый/черный: Передний левый ⊖
Серый: Передний правый ⊕
Серый/черный: Передний правый ⊖
Зеленый: Задний левый ⊕
Зеленый/черный: Задний левый ⊖
Фиолетовый: Задний правый ⊕
Фиолетовый/черный: Задний правый ⊖
- ④ Черный (заземление на массу)
- ⑤ Желтый
Подключите к клемме источника постоянного тока 12 В.


- ⑥ Синий/белый
Подключите к клемме панели управления автомобильной аудиосистемы.
- ⑦ Красный
Подключите к клемме, на которую подается напряжение (12 В постоянного тока) при включении зажигания.
- ⑧ Оранжевый/белый
Подсоедините к клемме выключателя подсветки.
- ⑨ Желтый/черный
Если используется оборудование, имеющее функцию приглушения звука, данный провод необходимо подсоединить к клемме Audio Mute данного устройства. В противном случае необходимо проследить за тем, чтобы данный провод не контактировал с любыми другими разъемами.
- ⑩ Розовый
Подключите к входу сигнала скорости автомобиля.
- ⑪ Разъем ISO (питание)
Подключите к клемме питания автомобильной аудиосистемы.
- ⑫ Разъем ISO (громкоговоритель)
Подключите к клемме громкоговорителя автомобильной аудиосистемы. ▣

Перед подключением усилителя


⚠ ПРЕДУПРЕЖДЕНИЕ

- Закрепите провода при помощи зажимов или изоляционной ленты. Для защиты проводки заизолируйте провода в местах их соприкосновения с металлическими деталями.
- Не нарушайте изоляцию проводов питания для подачи питания на другое оборудование. Провода имеют ограниченную допустимую нагрузку по току.

ВНИМАНИЕ

- Запрещается укорачивать провода, цепь защиты может выйти из строя.
- Запрещается напрямую заземлять отрицательный вывод громкоговорителя.
- Запрещается скреплять отрицательные кабели громкоговорителей вместе.
- Если провод системы дистанционного управления усилителем подключен к клемме питания через замок зажигания (12 В пост. тока), то усилитель будет находиться в включенном состоянии при включенном зажигании вне зависимости от того, включена автомобильная аудиосистема или нет; это может привести к разрядке аккумулятора, если двигатель выключен или работает на холостых оборотах.
- Установите и проложите шнур питания, провод заземления, провода громкоговорителей и усилителя как можно дальше от антенны, кабеля антенны и тюнера. 

Точка подключения/отключения разъема

- Вставьте разъем до щелчка и надежно соедините его.
- При отключении разъема возьмитесь за штекер и потяните. Если тянуть за шнур, он может оторваться от разъема. 

Технические характеристики громкоговорителя

Убедитесь, что характеристики громкоговорителей соответствуют указанным ниже требованиям. В противном случае существует опасность возгорания, задымления или повреждения устройства. Сопротивление громкоговорителей от 2 Ω до 8 Ω , или от 4 Ω до 8 Ω для двухканального или иного мостового соединения.

Сабвуфер

Канал громкоговорителя	Мощность
Четырехканальный выход	Номинальная входная мощность: Не менее 45 Вт
Двухканальный выход	Номинальная входная мощность: Не менее 90 Вт
Трехканальный выход передних громкоговорителей	Номинальная входная мощность: Не менее 45 Вт
Трехканальный выход задних громкоговорителей	Номинальная входная мощность: Не менее 90 Вт

Прочее оборудование (кроме сабвуфера)

Канал громкоговорителя	Мощность
Четырехканальный выход	Максимальная входная мощность: Не менее 100 Вт
Двухканальный выход	Максимальная входная мощность: Не менее 200 Вт
Трехканальный выход передних громкоговорителей	Максимальная входная мощность: Не менее 100 Вт
Трехканальный выход задних громкоговорителей	Максимальная входная мощность: Не менее 200 Вт



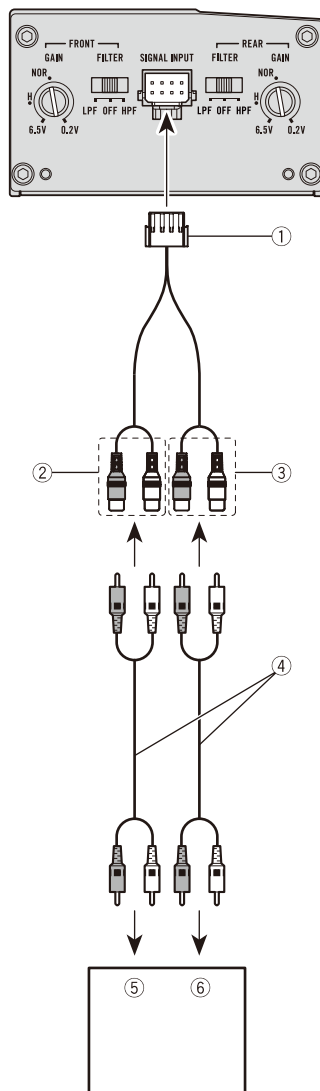
Подключение устройств

Подключение с использованием входного гнезда RCA

Соедините кабелем RCA выходное гнездо автомобильной аудиосистемы и входное гнездо RCA усилителя.

- При использовании входного гнезда RCA не подключайте громкоговоритель к выходу автомобильной аудиосистемы. Если громкоговоритель подключен к автомобильной аудиосистеме, питание должно осуществляться непосредственно от аккумуляторной батареи автомобиля, поскольку ток, потребляемый всей системой, будет большим.

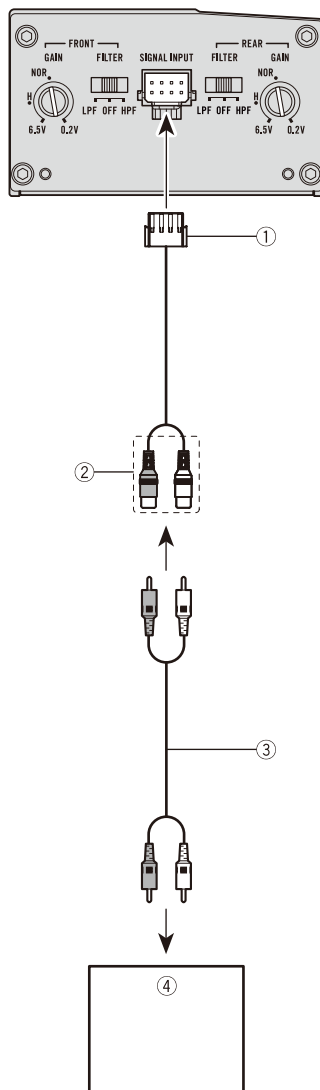
Четырехканальный / трехканальный вход



- ① Шнур входа RCA, 4 ch
К входному разъему сигнала данного устройства.

- ② Вход RCA на передней панели
- ③ Вход RCA на задней панели
- ④ Кабели RCA (продаются отдельно)
- ⑤ Автомобильная аудиосистема с выходными гнездами для подключения кабеля RCA на передней панели
- ⑥ Автомобильная аудиосистема с выходными гнездами для подключения кабеля RCA на задней панели

Двухканальный вход (стерео) / (моно)



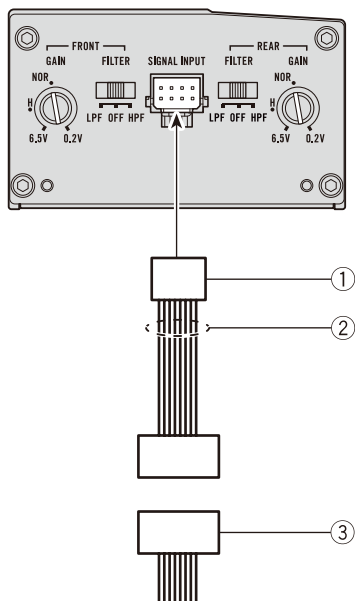
- ① Шнур входа RCA, 2 ch
К входному разъему сигнала данного устройства.

Подключение устройств

- ② Вход RCA на панели
- ③ Кабели RCA (продаются отдельно)
- ④ Автомобильная аудиосистема с выходными гнездами RCA

Подключения с использованием входного провода громкоговорителя

Подключите выходные провода громкоговорителя к усилителю с помощью шнура входа громкоговорителя, входящего в комплект поставки.



- ① Шнур входа громкоговорителя
К входному разъему сигнала данного устройства.

- ② Кабель громкоговорителя
 - Белый/черный: Передний громкоговоритель, левый ⊖
 - Белый: Передний громкоговоритель, левый ⊕
 - Серый/черный: Передний громкоговоритель, правый ⊖
 - Серый: Передний громкоговоритель, правый ⊕
 - Зеленый/черный: Задний громкоговоритель, левый ⊖
 - Зеленый: Задний громкоговоритель, левый ⊕
 - Фиолетовый/черный: Задний громкоговоритель, правый ⊖
 - Фиолетовый: Задний громкоговоритель, правый ⊕
- ③ Разъем ISO

Примечание

Если к данному усилителю подключены входные провода громкоговорителя от главного устройства, усилитель будет автоматически включаться при включении главного устройства. При выключении главного устройства усилитель будет автоматически выключаться. Эта функция может не работать с некоторыми главными устройствами. В таких случаях убедитесь, что передний левый канал подключен правильно. Если функция всё еще не работает, используйте провод системы дистанционного управления. Если необходимо одновременно подключить несколько усилителей, подключите главное устройство и все усилители с помощью провода системы дистанционного управления.

Перед установкой усилителя




ПРЕДУПРЕЖДЕНИЕ

- Для обеспечения надлежащей установки используйте только детали, входящие в комплект поставки, в соответствии с инструкциями. Использование деталей, отличных от указанных, может стать причиной повреждения внутренних компонентов усилителя или выключения усилителя при ослаблении крепления этих деталей.
- Не устанавливайте усилитель:
 - В местах, где водитель или пассажир может получить травму при экстренном торможении автомобиля.
 - В местах, где он может мешать водителю во время движения, например, на полу перед сидением водителя.
- Самонарезающие винты необходимо устанавливать так, чтобы не касались проводов. Эти меры предосторожности позволят избежать обрыва проводов под воздействием вибрации, вызванной движением автомобиля, которые могут привести к возгоранию.
- Убедитесь, что провода не могут попасть в механизм регулировки положения сиденья и не касаются ног пассажира или водителя. Это может повлечь за собой короткое замыкание.
- При сверлении отверстий для установки усилителя убедитесь, что за панелью не находятся какие-либо детали, и обеспечьте защиту от повреждений всех проводов и важного оборудования (например, трубопроводов тормозной или топливной системы, проводки).



ВНИМАНИЕ

- Для обеспечения надлежащей теплоотдачи усилителя при его установке необходимо обеспечить следующие условия:
 - Наличие достаточного свободного пространства над усилителем для обеспечения надлежащей вентиляции.
 - Не закрывать усилитель напольным покрытием или ковриком.

- Функция защиты может сработать для защиты усилителя от перегрева в результате установки в местах, где тепло не рассеивается, при постоянной работе на высокой громкости и т.п. В таких случаях усилитель сокращает выходную мощность или отключается и не включается до тех пор, пока температура не снизится до определенного значения.
- Разместите все кабели в удалении от нагревающихся деталей, таких как решетка обогревателя.
- Оптимальное место установки усилителя зависит от конкретной модели автомобиля. Закрепите усилитель на достаточно жесткой поверхности.
- Перед окончательной установкой проверьте все соединения и системы.
- После установки усилителя убедитесь, что запасное колесо, домкрат и инструменты извлекаются без помех. 

Пример установки усилителя на напольном коврике или шасси

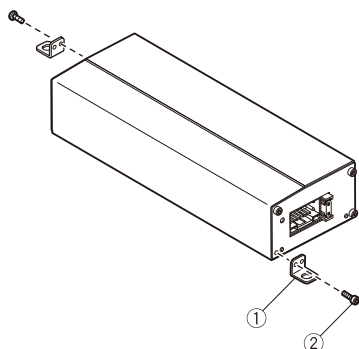
1 Поместите усилитель в место, где его предстоит установить.

Вставьте входящие в комплект поставки самонарезающие винты (4 мм × 18 мм) в отверстия для винтов и нажмите на винты отверткой так, чтобы на монтажной поверхности остались метки для сверления отверстий.

2 Отверните по одному винту слева и справа по диагонали с нижней стороны устройства.

Установка

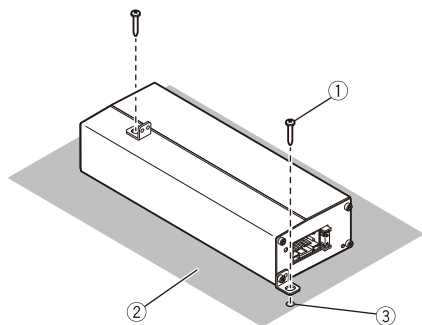
3 Прикрепите кронштейн с помощью снятых винтов.



- ① Скоба
- ② Винт

4 По отметкам просверлите отверстия диаметром 2,5 мм в коврик или непосредственно в шасси.

5 Закрепите усилитель с помощью входящих в комплект поставки самонарезающих винтов (4 мм × 18 мм).



- ① Самонарезающие винты (4 мм × 18 мм)
- ② Напольный коврик или шасси
- ③ Просверлите отверстие диаметром 2,5 мм

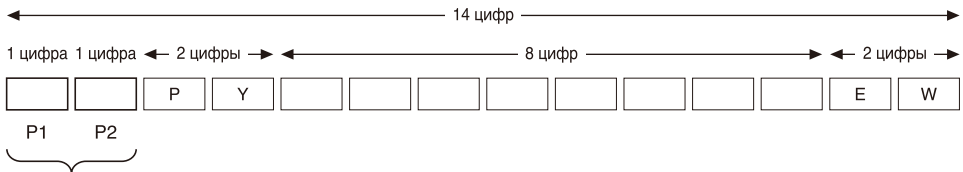
Примечания

- Не устанавливайте шнуры в местах, где они могут прикасаться к ногам пользователей, поскольку это может привести к разрыву или короткому замыканию.
- Не устанавливайте усилитель в местах, где на него могут попадать капли воды. ■

Дополнительная информация

Дату изготовления оборудования можно определить по серийному номеру, который содержит информацию о месяце и годе производства. (Русский)

Серийный номер (Русский)



Дата изготовления оборудования

P1 - Год изготовления

Год	2021	2022	2023	2024	2025	2026	2027	2028	2029	2030
Символы	A	B	C	D	E	F	G	H	I	J
Год	2031	2032	2033	2034	2035	2036	2037	2038	2039	2040
Символы	K	L	M	N	O	P	Q	R	S	T

С 2041 год изготовления снова начинается с буквы "А" и далее с циклом в 20 лет до буквы "Т".

P2 - Месяц изготовления

Месяц	1	2	3	4	5	6	7	8	9	10	11	12
Символы	A	B	C	D	E	F	G	H	I	J	K	L

СДЕЛАНО В КИТАЕ

Дополнительная информация

Технические характеристики

Источник питания	14,4 В постоянного тока (допустимый диапазон от 10,5 В до 16,0 В)
Система заземления	Заземление отрицательного полюса
Потребляемый ток	15 А (при номинальной выходной мощности, 4 Ω)
Среднее значение потребляемого тока	1,6 А (4 Ω для четырех каналов) 1,6 А (2 Ω для четырех каналов)
Плавкий предохранитель	15 А
Размеры (Ш × В × Г)	181 мм × 38 мм × 64 мм
Вес	0,58 кг (без учета проводов)
Максимальная выходная мощность	100 Вт × 4 (при 14,4 В, 4 Ω)
Номинальная выходная мощность	45 Вт × 4 (при 14,4 В, 4 Ω , от 20 Гц до 20 кГц, суммарный коэффициент нелинейных искажений \leq 1 %) 45 Вт × 4 (при 14,4 В, 2 Ω , 1 кГц, суммарный коэффициент нелинейных искажений \leq 1 %)
Сопротивление нагрузки	4 Ω (допустимо – от 2 Ω до 8 Ω)
Амплитудно-частотная характеристика	от 10 Гц до 40 кГц (+0 дБ, -3 дБ)
Отношение сигнал/шум	93 дБ (сеть IEC-A)
Искажения	0,05 % (4 Вт, 1 кГц)
Фильтр низких частот:	
Частота среза	80 Гц
Крутизна характеристики среза	-12 дБ/окт
Фильтр высоких частот:	
Частота среза	80 Гц
Крутизна характеристики среза	-12 дБ/окт
Регулировка коэффициента усиления:	
RCA	от 200 мВ до 6,5 В
Громкоговоритель	от 0,8 В до 16 В
Максимальная амплитуда входного сигнала / сопротивление:	
RCA	6,5 В / 22 к Ω
Громкоговоритель	16 В / 22 к Ω

Примечание:

В соответствии со статьей 5 закона Российской Федерации «О защите прав потребителей» и постановлением правительства Российской Федерации № 720 от 16.06.97 компания Pioneer Europe NV оговаривает следующий срок службы изделий, официально поставляемых на российский рынок.

Автомобильная электроника: 6 лет
Прочие изделия (наушники, микрофоны и т.п.): 5 лет

Чтобы ощутить истинное качество звучания, соответствующее стандартам Hi-Res Audio, установленным Японским аудиосообществом, необходимо, чтобы все компоненты аудиосистемы также соответствовали этим стандартам.



Этот логотип подтверждает, что данный продукт соответствует стандартам Hi-Resolution Audio (Передача звука высокого разрешения), установленным Japan Audio Society (Японское аудиосообщество). Логотип используется по лицензии Japan Audio Society.

Примечания

- Характеристики и конструкция могут быть изменены без предварительного уведомления.
- Среднее значение потребляемого тока близко к максимальному значению тока, потребляемого данным устройством при подаче аудиосигнала на вход. Используйте это значение при подсчете суммарного тока, потребляемого несколькими усилителями мощности.
- Данное устройство произведено в Китае.

Visit us on the World Wide Web at
Visitez-nous sur le Web à

<https://global.pioneer/en/corp/group/>

< Europe >

Pioneer Europe NV

<https://www.pioneer-car.eu/eur/>

< Middle East & Africa >

Pioneer Gulf, Fze.

<http://pioneer-mea.com/en/>

Pioneer Electronics Asiacentre Pte. Ltd.

<http://www.pioneerisrael.co.il/>

< Oceania >

Pioneer Electronics Australia Pty. Ltd.

<https://www.pioneer.com.au/>

< Asia >

Pioneer Electronics Asiacentre Pte. Ltd.

<https://sg.pioneerarentertainment.com/>

Pioneer (HK) Ltd.

<http://www.pioneerhongkong.com.hk/ct/company.php>

Pioneer High Fidelity Taiwan Co., Ltd.

<http://www.pioneer-twn.com.tw/>

Pioneer India Electronics Pvt. Ltd.

<https://pioneer-india.in/>

< Latin >

Pioneer International Latin America S.A.

<https://pioneer-latin.com/>

Pioneer Electronics de México S.A. de C.V.

<http://www.pioneer-mexico.com.mx/>

PIONEER CORPORATION

28-8, Honkomagome 2-chome, Bunkyo-ku, Tokyo 113-0021, JAPAN

КОРПОРАЦИЯ ПАЙОНИР

28-8, Хонкомагомэ 2-чоме, Бункё-ку, Токио 113-0021, Япония

PIONEER ELECTRONICS (USA) INC.

P.O. Box 1720, Long Beach, CA 90801, U.S.A.

TEL: (800) 421-1404

PIONEER EUROPE NV

Haven 1087, Keetberglaan 1, B-9120 Melsele, Belgium / Belgique

TEL: +32 (0) 3 570 05 11

Salamanca, Wellington Street, Slough, SL1 1YP, U.K.

TEL: +44 (0) 208 836 3500

PIONEER ELECTRONICS ASIACENTRE, PTE. LTD.

No. 2 Jalan Kilang Barat, #04-02, Singapore 159346

TEL: 65-6378-7777

PIONEER ELECTRONICS AUSTRALIA PTY. LTD.

Unit 13, 153-155 Rooks Road, Vermont, Victoria, 3133 Australia

TEL: 61-3-9586-6300

PIONEER ELECTRONICS DE MÉXICO S.A. DE C.V.

Avenida Boulevard Manuel Ávila Camacho 118, 12th floor, Lomas de Chapultepec neighborhood, Miguel Hidalgo City Hall, México City, 11000

TEL: 52-55-9178-4270

先鋒股份有限公司

台北市內湖區瑞光路407號8樓

電話：886-(0)2-2657-3588

先鋒電子（香港）有限公司

香港九龍長沙灣道909號5樓

電話：852-2848-6488

© 2024 PIONEER CORPORATION.
All rights reserved.

© 2024 PIONEER CORPORATION.
Tous droits de reproduction et de
traduction réservés.

© PIONEER CORPORATION, 2024.
Все права защищены.